



***Votre source de
confiance pour
des produits de
qualité supérieure***



**IVEAPC
LIMITED**

 Abidjan, Cocody 7eme Tranche non
de l'Eglise Saint AMBROISE MAVIGNE

 www.iveapc-limited.com



CONTACTEZ NOUS
+225 27 22 34 45 36

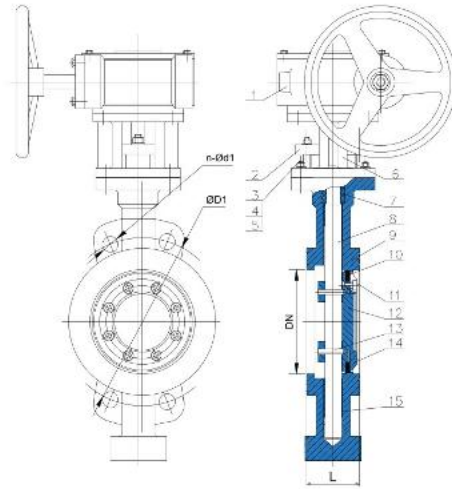
+225 07 13 32 45 82



contact@iveapc-limited.com



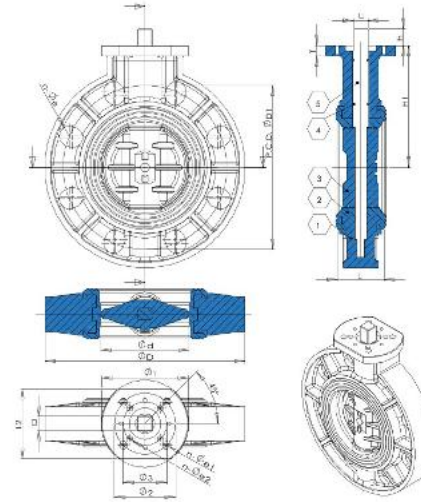
Metal Seated Eccentric Butterfly Valve (Wafer Type)



- **Type:** Wafer
- **Face to Face:** API609, BS5155, DIN3202, ISO5752
- **Flange:** DIN, BS, UNI, ISO, ANSI, AS, JIS
- **Mounting Flange:** ISO5211
- **Working Pressure:** PN16(200PSI)
- **Application:** HVAC, Water Supply & Sewage, Food & Beverage, Chemical, petrochemical, processing, Power and Utilities, Paper and Pulp, Ship Building.



PVC Butterfly valve



- **Type:** Wafer
- **Face to Face:** API609, BS5155, DIN3202, ISO5752
- **Flange:** DIN, BS, UNI, ISO, ANSI, AS, JIS
- **Mounting Flange:** ISO5211
- **Working Pressure:** PN16(200PSI)
- **Application:** HVAC, Water Supply & Sewage, Food & Beverage, Chemical, petrochemical, processing, Power and Utilities, Paper and Pulp, Ship Building.

STANDARD MATERIALS OF MAIN PARTS

ITEM	PART NAME	MATERIAL
1	Gear Operator	
2	Packing Flange	CF8
3	Stud	CS
4	Washers	Spring Steel
5	Bolt	CS
6	Connecting Support	CF8
7	Packing	Flexible Graphite
8	Stern	SS410
9	Body	CF8M
10	Sealing Ring	SS304+Graphite
11	Bolt	CS
12	Disc	CF8
13	Pin	SS304
14	Disc Flange	CF8
15	Bushing	Nitriding

DIMENSIONS:(mm)

SIZE	L	PN16		PN10		ANSI 150		
		D1	n-d1	D1	n-d1	D1	n-d1	
2	50	43	125	4-18	125	4-18	120.5	4-19
2.5	65	46	145	4-18	145	4-18	139.5	4-19
3	80	49	160	4/8"-18	160	8-18	152.5	4-19
4	100	56	180	4/8"-18	180	4/8"-18	190.5	4/8"-19
5	125	64	210	4/8"-18	210	4/8"-18	216	4/8"-22
6	150	70	240	4/8"-23	240	4/8"-23	241.5	4/8"-22
8	200	71	295	4/12"-23	295	4/8"-23	298.5	4/8"-22
10	250	76	355	4/12"-27	350	4/12"-23	362	4/12"-25
12	300	83	410	4/12"-27	400	4/12"-23	432	4/12"-25
14	350	92	470	4/16"-27	460	4/16"-23	476	4/12"-29
16	400	102	525	4/16"-30	515	4/16"-27	539.5	4/16"-29
18	450	114	585	4/20"-30	585	4/20"-27	578	4/16"-32
20	500	127	650	4/20"-33	620	4/20"-27	635	4/20"-32
24	600	154	770	4/20"-36	725	4/20"-30	749.5	4/20"-35
28	700	165	840	4/24"-36	840	4/24"-30	863.6	4/28"-35
32	800	190	950	4/24"-39	950	4/24"-33	977.9	4/28"-41
36	900	203	1050	4/28"-39	1050	4/28"-33	1085.8	4/32"-41
40	1000	216	1170	4/28"-42	1160	4/28"-36	1200.2	4/38"-41

STANDARD MATERIALS OF MAIN PARTS

ITEM	PART NAME	MATERIAL
1	Gear Operator	
2	Body	U-PVC
3	Seat seal	EPDM
4	Disc	U-PVC
5	O-Ring O	EDPM
6	Stern	CS

DIMENSIONS:(mm)

SIZE	DIN	2"	2 1/2"	3"	4"	5"	6"	8"
		50	63	80	100	125	150	200
DIN	125	145	160	180	210	240	240	295
ANSI	121	140	152	191	216	241	298	
JIS	120	140	150	175	210	240	290	
		48	63	78	98	122	146	199
		63	66	49	54	64	70	88
		80	90	80	80	100	100	100
		100	100	100	100	140	140	140
		12	12	12	12	15	15	15
		70	70	70	70	102	102	102
ISO5211		F07	FC7	F07	F07	F10	F10	F10
		50	50	50	50	70	70	
ISO5211		F05	F05	F05	F05	F07	F07	
DIN	4-0219	4-0219	8-0219	8-0219	8-0219	8-0223	8-0223	
ANSI	4-0219	4-0219	4-0219	8-0219	8-0219	8-0223	8-0223	
JIS	4-0219	4-0219	8-0219	8-0219	8-0219	8-0223	12-0223	
	4-029	4-029	4-029	4-029	4-0211	4-0211	4-0211	
	4-027	4-027	4-027	4-027	4-029	4-029		
PN	MPa	1	1	1	1	1	0.4	
PN		150	150	150	150	150	90	
□		11	1 1/14	1 4/17	1 4/17	17/22	17/22	22
h		12	12/15	15/18	15/18	18/23	18/23	23
TORQUE	N.M.	10	0	15	25	40	55	70



Abidjan, Cocody 7eme Tranche non de l'Eglise Saint AMBROISE MAVIGNE

www.iveapc-limited.com



CONTACTEZ NOUS

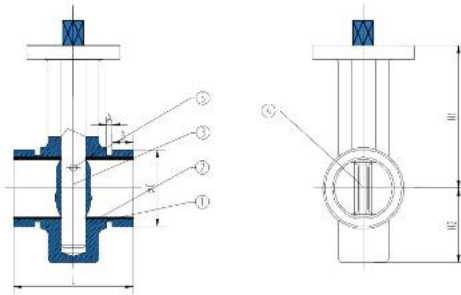
+225 27 22 34 45 36

+225 07 13 32 45 82

contact@iveapc-limited.com



Grooved End Butterfly Valve



- **Type:** Clamp
- **Face to Face:** API609, BS5155, DIN3202, ISO5752
- **Flange:** DIN, BS, UNI, ISO, ANSI, AS, JIS
- **Mounting Flange:** ISO5211
- **Working Pressure:** PN16(200PSI)
- **Application:** HVAC, Water Supply & Sewage, Food & Beverage, Chemical, petrochemical/processing, Power and Utilities, Paper and Pulp, Ship Building.

STANDARD MATERIALS OF MAIN PARTS

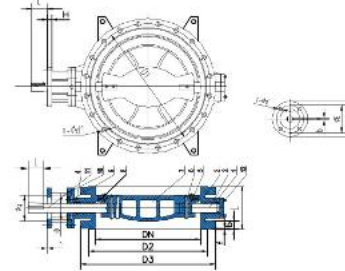
ITEM	PART NAME	MATERIAL
1	Body	DI
2	Seat	EPDM
3	Shaft	SS416
4	Disc	DI
5	Pin	SS416

DIMENSIONS:(mm)

SIZE		H1	H2	C	L	A	B
in	DN						
2	50	102	53	60	92	8	16
2.5	65	109	61	76	102	8	16
3	80	112	68	89	102	8	16
4	100	136	85	114	116	10	16
5	125	166	100	141	125	10	16
6	150	177	113	165	125	10	16
8	200	234	143	216	138	11	19
10	250	266	178	273	159	13	19
12	300	270	230	324	166	13	19



Resilient Seated Eccentric Flanged Butterfly Valve



- **Type:** Flange
- **Face to Face:** API609, BS5155, DIN3202, ISO5752
- **Flange:** DIN, BS, UNI, ISO, ANSI, AS, JIS
- **Mounting Flange:** ISO5211
- **Working Pressure:** PN16(200PSI)
- **Application:** HVAC, Water Supply & Sewage, Food & Beverage, Chemical, petrochemical/processing, Power and Utilities, Paper and Pulp, Ship Building.

STANDARD MATERIALS OF MAIN PARTS

ITEM	PART NAME	MATERIAL
1	Bushing	BRONZE/EPDM
2	Bottom Shaft	SS420
3	Body	GGG50
4	Packing	EPDM
5	Retainer	CS EPOXY COATED
6	Taper Pin	SS416
7	Disc	GGG50
8	Disc Sealing	EPDM
9	Stuffing Flange	GGG50
10	Support	CS
11	Top Shaft	SS420
12	Cover	GGG50
13	All Fasteners	A2-70

DIMENSIONS:(mm)

SIZE	L	PN16					PN16					JIS 10K					ANSI 150					Key	UPPER FLANGE									
		in	DN	13 Series	14 Series	DN	in	DN	15 Series	16 Series	DN	in	DN	17 Series	18 Series	DN	in	DN	19 Series	20 Series	DN			in	DN							
4	102	127	130	181	155	220	19	3	180	8-19	168	223	19	3	175	8-19	151	210	18	2	190	8-19	220	22.5	30	16	8*33	90	70	4-12	55-2	
5	125	140	200	210	8-19	164	251	19	3	210	8-19	194	220	19	3	210	8-23	192	250	20	2	216	8-23	235	22.6	45	20	8*35	123	102	4-12	70-3
6	150	140	210	240	8-23	211	285	19	3	240	8-23	211	285	19	3	240	8-23	212	281	22	2	241.5	8-22	265	23.9	45	20	8*35	123	102	4-12	70-3
8	200	152	230	295	8-23	269	340	21	3	285	12-26	266	340	21	3	280	12-23	282	330	22	2	298.5	8-22	345	27	45	25	8*33	123	102	4-12	70-3
10	250	165	250	350	12-26	319	395	22	3	365	12-26	319	405	22	3	365	12-25	324	420	24	2	382	12-25	415	28.6	45	25	8*35	123	102	4-12	70-3
12	300	178	270	410	12-26	370	445	24.5	4	410	12-26	370	460	24.5	4	400	12-25	338	445	24	2	432	12-25	465	30.2	50	30	8*45	175	140	4-18	100-4
14	350	190	290	480	16-28	429	505	24.5	4	470	16-28	429	520	26.5	4	445	16-25	410	480	25	5	475	12-28	535	33.4	50	40	12*45	210	165	4-22	130-5
16	400	210	310	515	16-28	481	565	24.5	4	525	16-31	480	580	26	4	510	16-27	475	560	28	5	540	16-28	595	35	50	45	14*45	260	185	4-22	130-5
18	450	222	330	565	20-32	531	615	25.5	4	585	20-31	548	640	30	4	560	20-27	530	620	31	5	579	16-32	635	38.1	50	45	14*45	210	165	4-22	130-5
20	500	229	350	620	20-32	582	670	26.5	4	630	20-34	609	715	31.5	4	620	20-27	595	675	31	5	635	20-32	700	41.3	70	52	16*60	210	165	4-22	130-5
24	600	257	390	725	20-31	682	780	31	5	770	20-37	720	840	36	5	730	24-33	690	785	32	5	749.5	20-36	815	46.1	90	55	2*18*70	300	254	8-19	200-5
28	700	282	430	840	24-31	794	895	32.5	5	840	24-37	794	910	36.5	5	840	24-33	830	915	34	5	863.5	28-38	925	68.9	90	65	2*18*70	300	254	8-19	200-5
32	800	310	470	950	24-34	901	1015	35	5	950	24-41	901	1025	43	5	930	28-33	866	1025	35	3	978	28-41	1030	73.4	100	70	2*22*90	300	254	8-19	200-5
36	900	330	510	1030	28-34	1021	1115	37.5	5	1060	28-41	1001	1125	46.5	5	1030	28-33	1005	1125	38	3	1068	30-41	1170	83.9	100	80	2*22*90	300	254	8-19	200-5
40	1000	410	550	1190	28-37	1112	1230	42	5	1170	28-44	1112	1235	50	5	1160	28-39	1110	1236	42	3	1200	30-41	1230	83.9	145	92	2*25*100	300	254	8-19	200-5
46	1200	470	630	1390	32-41	1230	1436	45	5	1360	32-51	1308	1495	57	5	1360	32-38	1325	1495	44	3	1422.5	40-41	1510	106.4	145	100	2*25*100	350	254	8-22	230-5

Abidjan, Cocody 7eme Tranche non de l'Eglise Saint AMBROISE MAVIGNE

www.iveapc-limited.com



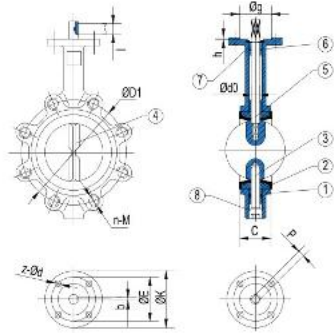
CONTACTEZ NOUS

+225 27 22 34 45 36
+225 07 13 32 45 82

contact@iveapc-limited.com



Lug Butterfly Valve (Half Shaft Without Pin)



- Type: Lugged
- Face to Face: API609, BS5155, DIN3202, ISO5752
- Flange: DIN, BS, UNI, ISO, ANSI, AS, JIS
- Mounting Flange: ISO5211
- Working Pressure: PN16(200PSI)
- Application: HVAC, Water Supply & Sewage, Food & Beverage, Chemical/ petrochemical/processing, Power and Utilities, Paper and Pulp, Ship Building.

STANDARD MATERIALS OF MAIN PARTS

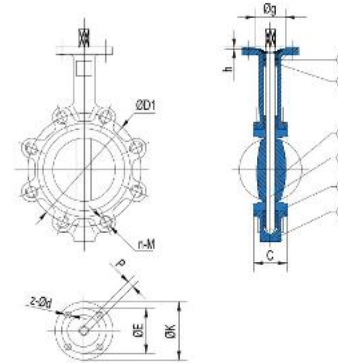
ITEM	PART NAME	MATERIAL
1	Body	CI/DI/CS/SS
2	Seat	EPDM/NBR/PTFE/Viton/Hypalon
3	Lower Shaft	SS416/316/304
4	Disc	CF8/CF8M/DI+Ni/CF8+PTFE/CF8M+PTFE
5	Upper Shaft	SS416, 316, 304
6	O Ring	NBR/EPDM
7	Bushing	PTFE
8	BOLTS	CS

DIMENSIONS:(mm)

SIZE in DN	C	d0	K	E	z-d	g	h	P	bXl	PN16		PN10		ANSI 150		JIS 10K	
										D1	n-M	D1	n-M	D1	n-M	D1	n-M
2 50	42	12.6	77	50	4.7	35	3	9	3X16	125	4-M16	125	4-M16	120.5	4-5/8"	120	4-M16
2.5 65	44.7	12.6	77	50	4.7	35	3	9	3X16	145	4-M16	145	4-M16	139.5	4-5/8"	140	4-M16
3 80	45.2	12.6	77	50	4.7	35	3	9	3X16	160	8-M16	160	8-M16	152.5	4-5/8"	150	4-M16
4 100	52.1	15.77	90	70	4.9	55	3	11	5X19	180	8-M16	180	8-M16	190.5	6-5/8"	175	8-M16
5 125	54.4	18.92	90	70	4.9	55	3	14	5X19	210	8-M16	210	8-M16	216	8-3/4"	210	8-M20
6 150	55.8	18.92	90	70	4.9	55	3	14	5X19	240	8-M20	240	8-M20	241.5	8-3/4"	240	8-M20
8 200	60.6	22.1	125	102	4-12	70	3.5	17	5X19	295	12-M20	295	8-M20	298.5	8-3/4"	290	12-M20
10 250	65.6	28.45	125	102	4-12	70	3.5	22	8X28	355	12-M24	350	12-M20	362	12-7/8"	355	12-M22
12 300	76.9	31.6	125	102	4-12	70	3.5	22	8X28	410	12-M24	400	12-M20	432	12-7/8"	400	16-M22
14 350	76.9	31.6	125	102	4-12	70	3.5	22	8X28	470	16-M24	460	16-M20	476	12-1"	445	16-M22
16 400	86.5	33.15	175	140	4-18	100	4	24	10X50	525	20-M27	515	16-M24	540	16-1"	510	16-M24
18 450	105.6	38	175	140	4-18	100	4	27	10X50	585	20-M27	565	20-M24	578	16-11/8"	565	20-M24
20 500	127	41.15	175	140	4-18	100	4	32	10X50	650	20-M30	620	20-M24	635	20-11/8"	620	20-M24
24 600	152	50.65	210	165	4-23	130	5	36	2-18X60	770	20-M33	725	20-M27	749.5	20-11/4"	730	24-M30
28 700	163	55	300	254	8-18	200	5.5		2-18X63	840	24-M33	840	24-M27	863.5	24-11/4"	840	24-M30
30 750	165	55	300	254	8-18	200	5.5		2-18X63	914	24-M36	914	24-M30	914.5	28-11/4"	900	24-M30
32 800	188	55	300	254	8-18	200	5.5		2-18X63	950	24-M36	950	24-M30	978	28-11/2"	950	28-M30
36 900	203	75	300	254	8-18	200	5.5		2-20X100	1050	28-M36	1050	28-M30	1086	32-11/2"	1050	28-M30
40 1000	216	85	300	254	8-18	200	5.5		2-20X100	1170	28-M39	1160	28-M33	1200	36-11/2"	1160	28-M36
42 1050	251	95	300	254	8-18	200	5.5		2-25X140	1257	32-M39	1257	32-M36	1257.5	36-11/2"	1270	28-M36
48 1200	276	105	350	298	8-23	230	5.5		2-28X140	1390	32-M45	1380	32-M39	1422	5 36-11/2"	1380	32-M36



Lug Butterfly Valve (PTFE Through Shaft Without Pin)



- Type: Lugged
- Face to Face: API609, BS5155, DIN3202, ISO5752
- Flange: DIN, BS, UNI, ISO, ANSI, AS, JIS
- Mounting Flange: ISO5211
- Working Pressure: PN16(200PSI)
- Application: HVAC, Water Supply & Sewage, Food & Beverage, Chemical/ petrochemical/processing, Power and Utilities, Paper and Pulp, Ship Building.

STANDARD MATERIALS OF MAIN PARTS

ITEM	PART NAME	MATERIAL
1	Body	CI/DI/SS
2	Seat	EPDM/NBR/Viton
3	Shaft	SS416/316/304
4	Disc	DI+Ni/CF8/CF8M
5	Bushing	PTFE
6	O Ring	NBR

DIMENSIONS:(mm)

SIZE in DN	C	d0	K	E	z-d	g	h	P	bXl	PN16		PN10		ANSI 150		JIS 10K	
										D1	n-M	D1	n-M	D1	n-M	D1	n-M
2 50	42	12.6	77	50	4.7	35	3	9	3X16	125	4-M16	125	4-M16	120.5	4-5/8"	120	4-M16
2.5 65	44.7	12.6	77	50	4.7	35	3	9	3X16	145	4-M16	145	4-M16	139.5	4-5/8"	140	4-M16
3 80	45.2	12.6	77	50	4.7	35	3	9	3X16	160	8-M16	160	8-M16	152.5	4-5/8"	150	4-M16
4 100	52.1	15.77	90	70	4.9	55	3	11	5X19	180	8-M16	180	8-M16	190.5	6-5/8"	175	8-M16
5 125	54.4	18.92	90	70	4.9	55	3	14	5X19	210	8-M16	210	8-M16	216	8-3/4"	210	8-M20
6 150	55.8	18.92	90	70	4.9	55	3	14	5X19	240	8-M20	240	8-M20	241.5	8-3/4"	240	8-M20
8 200	60.6	22.1	125	102	4-12	70	3.5	17	5X19	295	12-M20	295	8-M20	298.5	8-3/4"	290	12-M20
10 250	65.6	28.45	125	102	4-12	70	3.5	22	8X28	355	12-M24	350	12-M20	362	12-7/8"	355	12-M22
12 300	76.9	31.6	125	102	4-12	70	3.5	22	8X28	410	12-M24	400	12-M20	432	12-7/8"	400	16-M22
14 350	76.9	31.6	125	102	4-12	70	3.5	22	8X28	470	16-M24	460	16-M20	476	12-1"	445	16-M22
16 400	86.5	33.15	175	140	4-18	100	4	24	10X50	525	20-M27	515	16-M24	540	16-1"	510	16-M24
18 450	105.6	38	175	140	4-18	100	4	27	10X50	585	20-M27	565	20-M24	578	16-11/8"	565	20-M24
20 500	127	41.15	175	140	4-18	100	4	32	10X50	650	20-M30	620	20-M24	635	20-11/8"	620	20-M24
24 600	152	50.65	210	165	4-23	130	5	36	2-18X60	770	20-M33	725	20-M27	749.5	20-11/4"	730	24-M30
28 700	163	55	300	254	8-18	200	5.5		2-18X63	840	24-M33	840	24-M27	863.5	24-11/4"	840	24-M30
30 750	165	55	300	254	8-18	200	5.5		2-18X63	914	24-M36	914	24-M30	914.5	28-11/4"	900	24-M30
32 800	188	55	300	254	8-18	200	5.5		2-18X63	950	24-M36	950	24-M30	978	28-11/2"	950	28-M30
36 900	203	75	300	254	8-18	200	5.5		2-20X100	1050	28-M36	1050	28-M30	1086	32-11/2"	1050	28-M30
40 1000	216	85	300	254	8-18	200	5.5		2-20X100	1170	28-M39	1160	28-M33	1200	36-11/2"	1160	28-M36
42 1050	251	95	300	254	8-18	200	5.5		2-25X140	1257	32-M39	1257	32-M36	1257.5	36-11/2"	1270	28-M36
48 1200	276	105	350	298	8-23	230	5.5		2-28X140	1390	32-M45	1380	32-M39	1422	5 36-11/2"	1380	32-M36

Abidjan, Cocody Teme Tranche non de l'Eglise Saint AMBROISE MAVIGNE

www.iveapc-limited.com



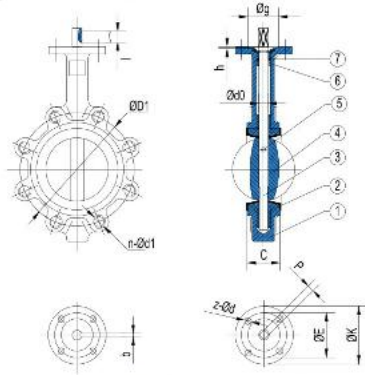
CONTACTEZ NOUS

+225 27 22 34 45 36
+225 07 13 32 45 82

contact@iveapc-limited.com



Lug Butterfly Valve(Through Shaft With Pin)



- **Type:** Lugged
- **Face to Face:** API609, BS5155, DIN3202, ISO5752
- **Flange:** DIN, BS, UNI, ISO, ANSI, AS, JIS
- **Mounting Flange:** ISO5211
- **Working Pressure:** PN16(200PSI)
- **Application:** HVAC, Water Supply & Sewage, Food & Beverage, Chemical, petrochemical/processing, Power and Utilities, Paper and Pulp, Ship Building.

STANDARD MATERIALS OF MAIN PARTS

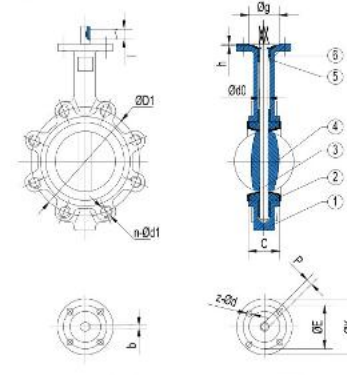
ITEM	PART NAME	MATERIAL
1	Body	CI/DI/CS/SS
2	Seat	EPDM/PTFE/VITON/NBR/Hypalon
3	Shaft	SS416/316/304/CS
4	Disc	CF8/CF8M/DI+Ni/SS304
5	Pin	SS
6	Bushing	PTFE/Bronze
7	O Ring	NBR/EPDM

DIMENSIONS:(mm)

SIZE	in	DN	C	d0	K	E	z-d	g	h	P	bXl	PN16		PN10		ANSI 150		JIS 10K	
												D1	n-M	D1	n-M	D1	n-M	D1	n-M
2	50	42	12.6	77	50	4-7	35	3	9	3X16	125	4-M16	125	4-M16	120.5	4-5/8"	120	4-M16	
2.5	65	44.7	12.6	77	50	4-7	35	3	9	3X16	145	4-M16	145	4-M16	139.5	4-5/8"	140	4-M16	
3	80	45.2	12.6	77	50	4-7	35	3	9	3X16	160	8-M16	160	8-M16	152.5	4-5/8"	150	4-M16	
4	100	52.1	15.77	90	70	4-9	55	3	11	5X19	180	8-M16	180	8-M16	190.5	8-5/8"	175	8-M16	
5	125	54.4	18.92	90	70	4-9	55	3	14	5X19	210	8-M16	210	8-M16	216	8-3/4"	210	8-M20	
6	150	55.8	18.92	90	70	4-9	55	3	14	5X19	240	8-M20	240	8-M20	241.5	8-3/4"	240	8-M20	
8	200	60.6	22.1	125	102	4-12	70	3.5	17	5X19	295	12-M20	295	8-M20	298.5	8-3/4"	290	12-M20	
10	250	65.6	28.45	125	102	4-12	70	3.5	22	8X28	355	12-M24	350	12-M20	362	12-7/8"	355	12-M22	
12	300	76.9	31.6	125	102	4-12	70	3.5	22	8X28	410	12-M24	400	12-M20	432	12-7/8"	400	16-M22	
14	350	76.9	31.6	125	102	4-12	70	3.5	22	8X28	470	16-M24	460	16-M20	476	12-1"	445	16-M22	
16	400	86.5	33.15	175	140	4-18	100	4	24	10X50	525	20-M27	515	16-M24	540	16-1"	510	16-M24	
18	450	105.6	38	175	140	4-18	100	4	27	10X50	585	20-M27	585	20-M24	578	18-11/8"	565	20-M24	
20	500	127	41.15	175	140	4-18	100	4	32	10X50	650	20-M30	620	20-M24	635	20-11/8"	620	20-M24	
24	600	152	50.65	210	165	4-23	130	5	36	2-18X63	770	20-M33	725	20-M27	749.5	20-11/4"	730	24-M30	
28	700	163	55	300	254	8-18	200	5.5		2-18X63	840	24-M33	840	24-M27	863.5	24-11/4"	840	24-M30	
30	750	165	55	300	254	8-18	200	5.5		2-18X63	914	24-M36	914	24-M30	914.5	28-11/4"	900	24-M30	
32	800	188	55	300	254	8-18	200	5.5		2-18X63	950	24-M36	950	24-M30	978	28-11/2"	950	28-M30	
36	900	203	75	300	254	8-18	200	5.5		2-20X100	1050	28-M36	1050	28-M30	1086	32-11/2"	1050	28-M30	
40	1000	216	85	300	254	8-18	200	5.5		2-20X100	1170	28-M39	1160	28-M33	1200	36-11/2"	1160	28-M36	
42	1050	251	95	300	254	8-18	200	5.5		2-25X140	1257	32-M39	1257	32-M36	1257.5	36-11/2"	1270	28-M36	
48	1200	276	105	350	298	8-23	230	5.5		2-28X140	1390	32-M45	1380	32-M39	1422.5	36-11/2"	1380	32-M36	



Lug Butterfly Valve (Through Shaft Without Pin)



- **Type:** Lugged
- **Face to Face:** API609, BS5155, DIN3202, ISO5752
- **Flange:** DIN, BS, UNI, ISO, ANSI, AS, JIS
- **Mounting Flange:** ISO5211
- **Working Pressure:** PN16(200PSI)
- **Application:** HVAC, Water Supply & Sewage, Food & Beverage, Chemical, petrochemical/processing, Power and Utilities, Paper and Pulp, Ship Building.

STANDARD MATERIALS OF MAIN PARTS

ITEM	PART NAME	MATERIAL
1	Body	CI/DI/CS/SS
2	Seat	EPDM/PTFE/VITON/NBR/Hypalon
3	Shaft	SS416/316/304/CS
4	Disc	CF8/CF8M/DI+Ni/SS304
5	Bushing	PTFE/Bronze
6	O Ring	NBR/EPDM

DIMENSIONS:(mm)

SIZE	in	DN	C	d0	K	E	z-d	g	h	P	bXl	PN16		PN10		ANSI 150		JIS 10K	
												D1	n-M	D1	n-M	D1	n-M	D1	n-M
2	50	42	12.6	77	50	4-7	35	3	9	3X16	125	4-M16	125	4-M16	120.5	4-5/8"	120	4-M16	
2.5	65	44.7	12.6	77	50	4-7	35	3	9	3X16	145	4-M16	145	4-M16	139.5	4-5/8"	140	4-M16	
3	80	45.2	12.6	77	50	4-7	35	3	9	3X16	160	8-M16	160	8-M16	152.5	4-5/8"	150	4-M16	
4	100	52.1	15.77	90	70	4-9	55	3	11	5X19	180	8-M16	180	8-M16	190.5	8-5/8"	175	8-M16	
5	125	54.4	18.92	90	70	4-9	55	3	14	5X19	210	8-M16	210	8-M16	216	8-3/4"	210	8-M20	
6	150	55.8	18.92	90	70	4-9	55	3	14	5X19	240	8-M20	240	8-M20	241.5	8-3/4"	240	8-M20	
8	200	60.6	22.1	125	102	4-12	70	3.5	17	5X19	295	12-M20	295	8-M20	298.5	8-3/4"	290	12-M20	
10	250	65.6	28.45	125	102	4-12	70	3.5	22	8X28	355	12-M24	350	12-M20	362	12-7/8"	355	12-M22	
12	300	76.9	31.6	125	102	4-12	70	3.5	22	8X28	410	12-M24	400	12-M20	432	12-7/8"	400	16-M22	
14	350	76.9	31.6	125	102	4-12	70	3.5	22	8X28	470	16-M24	460	16-M20	476	12-1"	445	16-M22	
16	400	86.5	33.15	175	140	4-18	100	4	24	10X50	525	20-M27	515	16-M24	540	16-1"	510	16-M24	
18	450	105.6	38	175	140	4-18	100	4	27	10X50	585	20-M27	585	20-M24	578	18-11/8"	565	20-M24	
20	500	127	41.15	175	140	4-18	100	4	32	10X50	650	20-M30	620	20-M24	635	20-11/8"	620	20-M24	
24	600	152	50.65	210	165	4-23	130	5	36	2-18X63	770	20-M33	725	20-M27	749.5	20-11/4"	730	24-M30	
28	700	163	55	300	254	8-18	200	5.5		2-18X63	840	24-M33	840	24-M27	863.5	24-11/4"	840	24-M30	
30	750	165	55	300	254	8-18	200	5.5		2-18X63	914	24-M36	914	24-M30	914.5	28-11/4"	900	24-M30	
32	800	188	55	300	254	8-18	200	5.5		2-18X63	950	24-M36	950	24-M30	978	28-11/2"	950	28-M30	
36	900	203	75	300	254	8-18	200	5.5		2-20X100	1050	28-M36	1050	28-M30	1086	32-11/2"	1050	28-M30	
40	1000	216	85	300	254	8-18	200	5.5		2-20X100	1170	28-M39	1160	28-M33	1200	36-11/2"	1160	28-M36	
42	1050	251	95	300	254	8-18	200	5.5		2-25X140	1257	32-M39	1257	32-M36	1257.5	36-11/2"	1270	28-M36	
48	1200	276	105	350	298	8-23	230	5.5		2-28X140	1390	32-M45	1380	32-M39	1422.5	36-11/2"	1380	32-M36	

Abidjan, Cocody Teme Tranche non de l'Eglise Saint AMBROISE MAVIGNE

www.iveapc-limited.com



CONTACTEZ NOUS

+225 27 22 34 45 36
+225 07 13 32 45 82

contact@iveapc-limited.com

CONCENTRIC BUTTERFLY VALVE

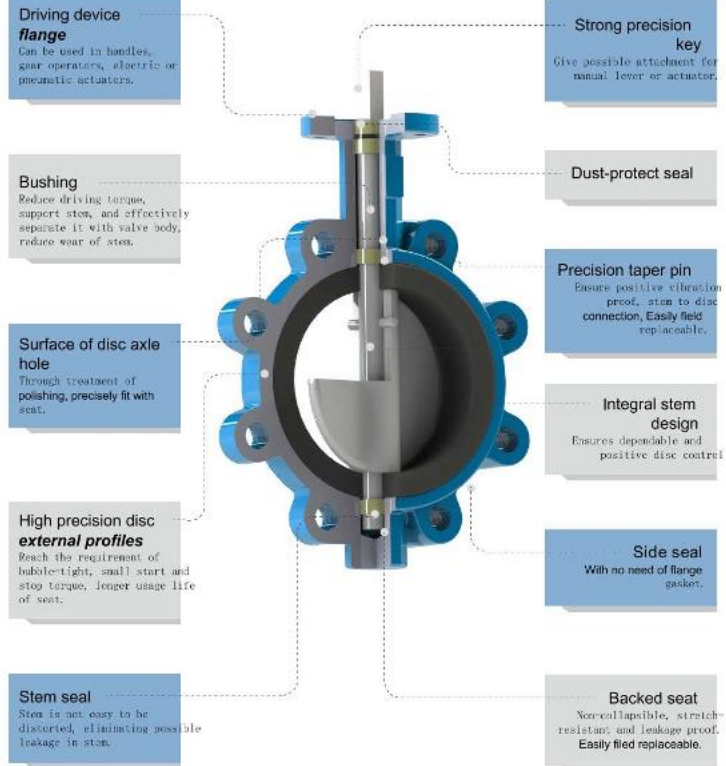


Water, waste and water resource project
 Environment protection
 Public facilities
 Power and public utilities
 Building industry
 Petroleum, chemical
 Steel, metallurgy
 Paper making industry
 Foods, Beverage



Butterfly valve as used as shutting-off or throttling unit for petroleum processing, chemicals, food, medicine, textile, paper making, hydroelectricity engineering as well as light industry, etc. it can be installed in any selected position.

Through precise manufacturing, the main parts of this butterfly valve ensure valve's operation in long stable and reliable condition.



Abidjan, Cocody 7eme Tranche non de l'Eglise Saint AMBROISE MAVIGNE

 www.iveapc-limited.com

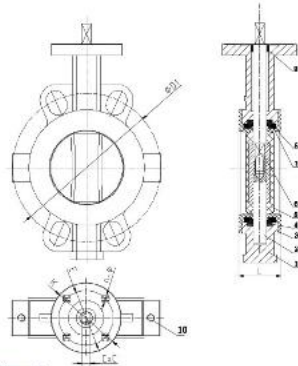


CONTACTEZ NOUS

 +225 27 22 34 45 36
 +225 07 13 32 45 82
 contact@iveapc-limited.com



PTFE Coated Butterfly Valve (Wafer Type)



- Type: Wafer
- Face to Face: API609, BS5155, DIN3202, ISO5752
- Flange: DIN, BS, UNI, ISO, ANSI, AS, JIS
- Mounting Flange: ISO5211
- Working Pressure: PN16(200PSI)
- Application: HVAC, Water Supply & Sewage, Food & Beverage, Chemical, petrochemical, processing, Power and Utilities, Paper and Pulp, Ship Building.

DIMENSIONS:(mm)

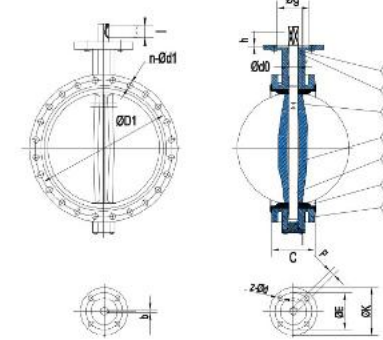
SIZE	D1 150LB	D1 PN10	D1 PN16	D1 10K	L	CXC	ISO5211	K	E	n-Ø
DN50	120.7	125	125	120	43	9X9	F07	90	70	50
DN65	139.7	145	145	140	46	9X9	F07	90	70	65
DN80	152.4	160	160	150	46	9X9	F07	90	70	80
DN100	190.5	180	180	175	52	11X11	F07	90	70	100
DN125	215.9	210	210	210	56	14X14	F07	90	70	125
DN150	241.3	240	240	240	56	14X14	F07	90	70	150
DN200	298.5	295	295	290	60	17X17	F10	125	102	200
DN250	362	350	355	355	68	22X22	F10	125	102	250
DN300	431.8	400	410	400	78	22X22	F10	125	102	300

STANDARD MATERIALS OF MAIN PARTS

10	BOLT	SS304	2-4
9	BUSHING	PTFE	1
8	PRESSING SLEEVE	STAINLESS STEEL	2
7	SEAT ENERGIZER	SILICONE	2
6	UP SHAFT	SS410/SS304/SS316	1
5	DISC	CF8M+PTFE	1
4	BUTTERFLY SPRING	SPRING STEEL	8
3	LINER(SEAT)	PTFE	1
2	DOWN SHAFT	SS410	1
1	BODY	CI/DI	2
NO.	NAME	MATERIAL	QTY
TEST PRESSURE	CWP: 10 BAR	SHELL	SEAL
	HYDROSTATIC AIR	15BAR	11BAR
STANDARD	DESIGN	API609	
	INSPECTION & TEST	API598	
	END STANDARD	EN1092-2 PN6/10/16/AS"D"E/JIS B2220 10K/ASME B16.5 150LB	
	FACE TO FACE	API609	



Flange Butterfly Valve



- Type: Flange
- Face to Face: API609, BS5155, DIN3202, ISO5752
- Flange: DIN, BS, UNI, ISO, ANSI, AS, JIS
- Mounting Flange: ISO5211
- Working Pressure: PN16(200PSI)
- Application: HVAC, Water Supply & Sewage, Food & Beverage, Chemical, petrochemical, processing, Power and Utilities, Paper and Pulp, Ship Building.

STANDARD MATERIALS OF MAIN PARTS

ITEM	PART NAME	MATERIAL
1	Body	CI/DI/CS/SS
2	Seat	EPDM/PTFE/VITON/NBR/Hypalon
3	Shaft	SS416/316/304
4	Disc	CF8/CF8M/DI+NI
5	Pin	SS304/SS316
6	Bushing	PTFE/Bronze
7	O Ring	NBR/EPDM

DIMENSIONS:(mm)

SIZE	C	d0	K	E	z-d	g	h	p	bXl	PN16	PN10	ANSI 150	JIS 10K					
in	DN									D1	n-Ød1	D1	n-Ød1	D1	n-Ød1	D1	n-Ød1	
2	50	42	12.6	77	50	4-7	35	3	9	3X16	125	4-18	125	4-18	120.5	4-19	120	4-19
2.5	65	44.7	12.6	77	50	4-7	35	3	9	3X16	145	4-18	145	4-18	139.5	4-19	140	4-19
3	80	45.2	12.6	77	50	4-7	35	3	9	3X16	160	8-18	160	8-18	152.5	4-19	150	4-19
4	100	52.1	15.77	90	70	4-9	35	3	11	5X19	180	8-18	180	8-18	190.5	8-19	175	8-19
5	125	54.4	18.92	90	70	4-9	55	3	14	5X19	210	8-18	210	8-18	216	8-22	210	8-23
6	150	55.8	18.92	90	70	4-9	55	3	14	5X19	240	8-23	240	8-23	241.5	8-22	240	8-23
8	200	60.6	22.1	125	102	4-12	70	3.5	17	5X19	295	12-23	295	8-23	298.5	8-22	290	8-23
10	250	65.6	28.45	125	102	4-12	70	3.5	22	8X28	365	12-27	360	12-23	362	12-25	355	12-25
12	300	76.9	31.6	125	102	4-12	70	3.5	22	8X28	410	12-27	400	12-23	432	12-25	400	16-25
14	350	76.9	31.6	125	102	4-12	70	3.5	22	8X28	470	16-27	460	16-23	476	12-29	445	16-25
16	400	86.5	33.15	175	140	4-18	100	4	24	10X50	525	16-30	515	16-27	540	16-29	510	16-27
18	450	105.6	38	175	140	4-18	100	4	27	10X50	585	20-30	585	20-27	578	16-32	565	20-27
20	500	127	41.15	175	140	4-18	100	4	32	10X50	650	20-33	620	20-27	635	20-32	620	20-27
24	600	152	50.65	210	165	4-23	130	5	36	2-18X80	770	24-36	725	20-30	749.5	20-35	730	24-33
28	700	163	55	300	254	8-18	200	5.5		2-18X83	840	24-36	840	24-30	863.5	28-35	840	24-33
30	750	165	55	300	254	8-18	200	5.5		2-18X83	914	24-39	914	24-33	914.5	28-11.4	900	24-33
32	800	188	55	300	254	8-18	200	5.5		2-18X83	950	24-39	950	24-33	978	28-41	950	28-33
36	900	203	75	300	254	8-18	200	5.5		2-20X100	1050	28-39	1050	28-33	1086	32-41	1050	28-33
40	1000	216	85	300	254	8-18	200	5.5		2-20X100	1170	28-42	1160	28-36	1200	36-41	1160	28-39
42	1050	251	95	300	254	8-18	200	5.5		2-25X140	1257	32-44	1257	32-37	1257.5	36-41	1270	28-39
48	1200	276	105	350	298	8-23	230	5.5		2-28X140	1390	32-50	1380	32-41	1422.5	40-41	1380	32-39

Abidjan, Cocody 7eme Tranche non de l'Eglise Saint AMBROISE MAVIGNE

www.iveapc-limited.com



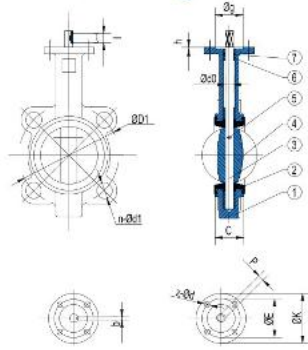
CONTACTEZ NOUS

+225 27 22 34 45 36
+225 07 13 32 45 82

contact@iveapc-limited.com



Wafer Butterfly Valve (Four Holes With Tongue-And-Groove Seat)



- **Type:** Wafer
- **Face to Face:** API609, BS5155, DIN3202, ISO5752
- **Flange:** DIN, BS, UNI, ISO, ANSI, AS, JIS
- **Mounting Flange:** ISO5211
- **Working Pressure:** PN16(200PSI)
- **Application:** HVAC, Water Supply & Sewage, Food & Beverage, Chemical, petrochemical processing, Power and Utilities, Paper and Pulp, Ship Building.

STANDARD MATERIALS OF MAIN PARTS

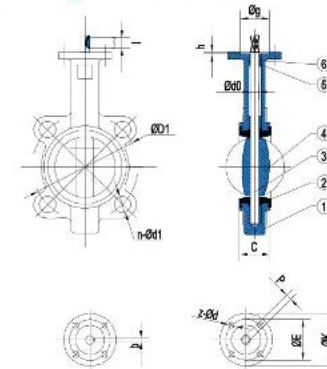
ITEM	PART NAME	MATERIAL
1	Body	C/DI/CS/SS
2	Seat	EPDM/PTFE/VITON/NBR/Hypalon
3	Shaft	SS416/316/304
4	Disc	CF8/CF8M/DI+Ni
5	Pin	SS304/SS316
6	Bushing	PTFE/Bronze
7	O Ring	NBR/EPDM

DIMENSIONS:(mm)

SIZE in DN	C	d0	K	E	z-d	g	h	p	bXl	PN16		PN10		ANSI 150		JIS 10K	
										D1	n-Ød1	D1	n-Ød1	D1	n-Ød1	D1	n-Ød1
2 50	42	12.6	77	50	4-7	35	3	9	3X16	125	4-18	125	4-18	120.5	4-19	120	4-19
2.5 65	44.7	12.6	77	50	4-7	35	3	9	3X16	145	4-18	145	4-18	139.5	4-19	140	4-19
3 80	45.2	12.6	77	50	4-7	35	3	9	3X16	160	8-18	160	8-18	152.5	4-19	150	4-19
4 100	52.1	15.77	90	70	4-9	55	3	11	5X19	180	8-18	180	8-18	190.5	8-19	175	8-19
5 125	54.4	18.92	90	70	4-9	55	3	14	5X19	210	8-18	210	8-18	216	8-22	210	8-23
6 150	55.8	18.92	90	70	4-9	55	3	14	5X19	240	8-23	240	8-23	241.5	8-22	240	8-23
8 200	60.6	22.1	125	102	4-12	70	3.5	17	5X19	295	12-23	295	8-23	298.5	8-22	290	12-23
10 250	65.6	28.45	125	102	4-12	70	3.5	22	8X28	355	12-27	350	12-23	362	12-25	355	12-25
12 300	76.9	31.6	125	102	4-12	70	3.5	22	8X28	410	12-27	400	12-23	432	12-25	400	16-25
14 350	76.9	31.6	125	102	4-12	70	3.5	22	8X28	470	16-27	460	16-23	476	12-29	445	16-25
16 400	86.5	33.15	175	140	4-18	100	4	24	10X50	525	16-30	515	16-27	540	16-29	510	16-27
18 450	105.6	38	175	140	4-18	100	4	27	10X50	585	20-30	565	20-27	578	16-32	565	20-27
20 500	127	41.15	175	140	4-18	100	4	32	10X50	650	20-33	620	20-27	635	20-32	620	20-27
24 600	152	50.65	210	165	4-23	130	5	36	2-18X60	770	24-36	725	20-30	749.5	20-35	730	24-33
28 700	163	55	300	254	8-18	200	5.5		2-18X63	840	24-36	840	24-30	863.5	28-35	840	24-33
30 750	165	55	300	254	8-18	200	5.5		2-18X63	914	24-39	914	24-33	914.5	28-114	900	24-33
32 800	188	55	300	254	8-18	200	5.5		2-18X63	950	24-39	950	24-33	978	28-41	950	28-33
36 900	203	75	300	254	8-18	200	5.5		2-20X100	1050	28-39	1050	28-33	1086	32-41	1050	28-33
40 1000	216	85	300	254	8-18	200	5.5		2-20X100	1170	28-42	1160	28-36	1200	36-41	1160	28-39
42 1050	251	95	300	254	8-18	200	5.5		2-25X140	1257	32-44	1257	32-37	1257.5	36-41	1270	28-39
48 1200	276	105	350	298	8-23	230	5.5		2-28X140	1390	32-50	1380	32-41	1422.5	40-41	1380	32-39



Wafer Butterfly Valve (with tongue And Groove Seat Without Pin)



- **Type:** Wafer
- **Face to Face:** API609, BS5155, DIN3202, ISO5752
- **Flange:** DIN, BS, UNI, ISO, ANSI, AS, JIS
- **Mounting Flange:** ISO5211
- **Working Pressure:** PN16(200PSI)
- **Application:** HVAC, Water Supply & Sewage, Food & Beverage, Chemical, petrochemical processing, Power and Utilities, Paper and Pulp, Ship Building.

STANDARD MATERIALS OF MAIN PARTS

ITEM	PART NAME	MATERIAL
1	Body	C/DI/CS/SS
2	Seat	EPDM/PTFE/VITON/NBR/Hypalon
3	Shaft	SS416/316/304
4	Disc	CF8/CF8M/DI+Ni
5	Bushing	PTFE/Bronze
6	O Ring	NBR/EPDM

DIMENSIONS:(mm)

SIZE in DN	C	d0	K	E	z-d	g	h	p	bXl	PN16		PN10		ANSI 150		JIS 10K	
										D1	n-Ød1	D1	n-Ød1	D1	n-Ød1	D1	n-Ød1
2 50	42	12.6	77	50	4-7	35	3	9	3X16	125	4-18	125	4-18	120.5	4-19	120	4-19
2.5 65	44.7	12.6	77	50	4-7	35	3	9	3X16	145	4-18	145	4-18	139.5	4-19	140	4-19
3 80	45.2	12.6	77	50	4-7	35	3	9	3X16	160	8-18	160	8-18	152.5	4-19	150	4-19
4 100	52.1	15.77	90	70	4-9	55	3	11	5X19	180	8-18	180	8-18	190.5	8-19	175	8-19
5 125	54.4	18.92	90	70	4-9	55	3	14	5X19	210	8-18	210	8-18	216	8-22	210	8-23
6 150	55.8	18.92	90	70	4-9	55	3	14	5X19	240	8-23	240	8-23	241.5	8-22	240	8-23
8 200	60.6	22.1	125	102	4-12	70	3.5	17	5X19	295	12-23	295	8-23	298.5	8-22	290	12-23
10 250	65.6	28.45	125	102	4-12	70	3.5	22	8X28	355	12-27	350	12-23	362	12-25	355	12-25
12 300	76.9	31.6	125	102	4-12	70	3.5	22	8X28	410	12-27	400	12-23	432	12-25	400	16-25
14 350	76.9	31.6	125	102	4-12	70	3.5	22	8X28	470	16-27	460	16-23	476	12-29	445	16-25
16 400	86.5	33.15	175	140	4-18	100	4	24	10X50	525	16-30	515	16-27	540	16-29	510	16-27
18 450	105.6	38	175	140	4-18	100	4	27	10X50	585	20-30	565	20-27	578	16-32	565	20-27
20 500	127	41.15	175	140	4-18	100	4	32	10X50	650	20-33	620	20-27	635	20-32	620	20-27
24 600	152	50.65	210	165	4-23	130	5	36	2-18X60	770	24-36	725	20-30	749.5	20-35	730	24-33
28 700	163	55	300	254	8-18	200	5.5		2-18X63	840	24-36	840	24-30	863.5	28-35	840	24-33
30 750	165	55	300	254	8-18	200	5.5		2-18X63	914	24-39	914	24-33	914.5	28-114	900	24-33
32 800	188	55	300	254	8-18	200	5.5		2-18X63	950	24-39	950	24-33	978	28-41	950	28-33
36 900	203	75	300	254	8-18	200	5.5		2-20X100	1050	28-39	1050	28-33	1086	32-41	1050	28-33
40 1000	216	85	300	254	8-18	200	5.5		2-20X100	1170	28-42	1160	28-36	1200	36-41	1160	28-39
42 1050	251	95	300	254	8-18	200	5.5		2-25X140	1257	32-44	1257	32-37	1257.5	36-41	1270	28-39
48 1200	276	105	350	298	8-23	230	5.5		2-28X140	1390	32-50	1380	32-41	1422.5	40-41	1380	32-39

Abidjan, Cocody Teme Tranche non de l'Eglise Saint AMBROISE MAVIGNE

www.iveapc-limited.com



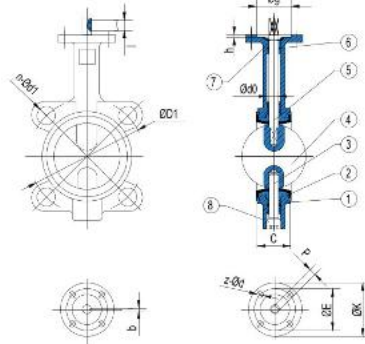
CONTACTEZ NOUS

+225 27 22 34 45 36
+225 07 13 32 45 82

contact@iveapc-limited.com



Wafer Butterfly Valve (Half Shaft Without Pin)



- Type: Wafer
- Face to Face: API609, BS5155, DIN3202, ISO5752
- Flange: DIN, BS, UNI, ISO, ANSI, AS, JIS
- Mounting Flange: ISO5211
- Working Pressure: PN16(200PSI)
- Application: HVAC, Water Supply & Sewage, Food & Beverage, Chemical, petrochemical/processing, Power and Utilities, Paper and Pulp, Ship Building.

STANDARD MATERIALS OF MAIN PARTS

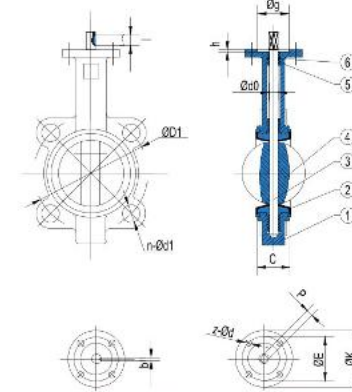
ITEM	PART NAME	MATERIAL
1	Body	Cl/DI/CS/SS
2	Seat	EPDM/PTFE/VITON/NBR/Hypalon
3	Lower Shaft	SS416/316/304
4	Disc	CF8/CF8M/DI+NI
5	Upper Shaft	SS304/SS316
6	O Ring	NBR/EPDM
7	Bushing	PTFE/Bronze
8	BOLTS	CS

DIMENSIONS:(mm)

SIZE in DN	C	d0	K	E	z-d	g	h	P	bXl	PN16		PN10		ANSI 150		JIS 10K		
										D1	n-Ød1	D1	n-Ød1	D1	n-Ød1	D1	n-Ød1	
2 50	42	12.6	77	50	4-7	35	3	9	3X16	125	4-18	125	4-18	120.5	4-19	120	4-19	
2.5 65	44.7	12.6	77	50	4-7	35	3	9	3X16	145	4-18	145	4-18	139.5	4-19	140	4-19	
3 80	45.2	12.6	77	50	4-7	35	3	9	3X16	160	8-18	160	8-18	152.5	4-19	150	4-19	
4 100	52.1	15.77	90	70	4-9	55	3	11	5X19	180	8-18	180	8-18	190.5	8-19	175	8-19	
5 125	54.4	18.92	90	70	4-9	55	3	14	5X19	210	8-18	210	8-18	216	8-22	210	8-23	
6 150	55.8	18.92	90	70	4-9	55	3	14	5X19	240	8-23	240	8-23	241.5	8-22	240	8-23	
8 200	60.6	22.1	125	102	4-12	70	3.5	17	5X19	295	12-23	295	8-23	298.5	8-22	290	12-23	
10 250	65.6	28.45	125	102	4-12	70	3.5	22	8X28	355	12-27	350	12-23	362	12-25	355	12-25	
12 300	76.9	31.6	125	102	4-12	70	3.5	22	8X28	410	12-27	400	12-23	432	12-25	400	16-25	
14 350	76.9	31.6	125	102	4-12	70	3.5	22	8X28	470	16-27	460	16-23	476	12-29	445	16-25	
16 400	86.5	33.15	175	140	4-18	100	4	24	10X50	525	16-30	515	16-27	540	16-29	510	16-27	
18 450	105.6	38	175	140	4-18	100	4	27	10X50	585	20-30	565	20-27	578	16-32	565	20-27	
20 500	127	41.15	175	140	4-18	100	4	32	10X50	650	20-33	620	20-27	635	20-32	620	20-27	
24 600	152	50.65	210	165	4-23	130	5	36	2-18X63	770	24-36	725	20-30	749.5	20-35	730	24-33	
28 700	163	55	300	254	8-18	200	5.5		2-18X63	840	24-36	840	24-30	863.5	28-35	840	24-33	
30 750	165	55	300	254	8-18	200	5.5		2-18X63	914	24-39	914	24-33	914.5	28-11/4	900	24-33	
32 800	188	55	300	254	8-18	200	5.5		2-18X63	950	24-39	950	24-33	978	28-41	950	28-33	
36 900	203	75	300	254	8-18	200	5.5		2-20X100	1050	28-39	1050	28-33	1086	32-41	1050	28-33	
40 1000	216	85	300	254	8-18	200	5.5		2-20X100	1170	28-42	1160	28-36	1200	36-41	1160	28-39	
42 1050	251	96	300	254	8-18	200	5.5		2-25X140	1257	32-44	1257	32-37	1257.5	36-41	1270	28-39	
48 1200	276	105	350	298	8-23	230	5.5		2-28X140	1390	32-50	1380	32-41	1422	5	40-41	1380	32-39



Wafer Butterfly Valve (Through Shaft Without Pin)



- Type: Wafer
- Face to Face: API609, BS5155, DIN3202, ISO5752
- Flange: DIN, BS, UNI, ISO, ANSI, AS, JIS
- Mounting Flange: ISO5211
- Working Pressure: PN16(200PSI)
- Application: HVAC, Water Supply & Sewage, Food & Beverage, Chemical, petrochemical/processing, Power and Utilities, Paper and Pulp, Ship Building.

STANDARD MATERIALS OF MAIN PARTS

ITEM	PART NAME	MATERIAL
1	Body	Cl/DI/CS/SS
2	Seat	EPDM/PTFE/VITON/NBR/Hypalon
3	Shaft	SS416/316/304
4	Disc	CF8/CF8M/DI+NI
5	Bushing	PTFE/Bronze
6	O Ring	NBR/EPDM

DIMENSIONS:(mm)

SIZE in DN	C	d0	K	E	z-d	g	h	P	bXl	PN16		PN10		ANSI 150		JIS 10K		
										D1	n-Ød1	D1	n-Ød1	D1	n-Ød1	D1	n-Ød1	
2 50	42	12.6	77	50	4-7	35	3	9	3X16	125	4-18	125	4-18	120.5	4-19	120	4-19	
2.5 65	44.7	12.6	77	50	4-7	35	3	9	3X16	145	4-18	145	4-18	139.5	4-19	140	4-19	
3 80	45.2	12.6	77	50	4-7	35	3	9	3X16	160	8-18	160	8-18	152.5	4-19	150	4-19	
4 100	52.1	15.77	90	70	4-9	55	3	11	5X19	180	8-18	180	8-18	190.5	8-19	175	8-19	
5 125	54.4	18.92	90	70	4-9	55	3	14	5X19	210	8-18	210	8-18	216	8-22	210	8-23	
6 150	55.8	18.92	90	70	4-9	55	3	14	5X19	240	8-23	240	8-23	241.5	8-22	240	8-23	
8 200	60.6	22.1	125	102	4-12	70	3.5	17	5X19	295	12-23	295	8-23	298.5	8-22	290	12-23	
10 250	65.6	28.45	125	102	4-12	70	3.5	22	8X28	355	12-27	350	12-23	362	12-25	355	12-25	
12 300	76.9	31.6	125	102	4-12	70	3.5	22	8X28	410	12-27	400	12-23	432	12-25	400	16-25	
14 350	76.9	31.6	125	102	4-12	70	3.5	22	8X28	470	16-27	460	16-23	476	12-29	445	16-25	
16 400	86.5	33.15	175	140	4-18	100	4	24	10X50	525	16-30	515	16-27	540	16-29	510	16-27	
18 450	105.6	38	175	140	4-18	100	4	27	10X50	585	20-30	565	20-27	578	16-32	565	20-27	
20 500	127	41.15	175	140	4-18	100	4	32	10X50	650	20-33	620	20-27	635	20-32	620	20-27	
24 600	152	50.65	210	165	4-23	130	5	36	2-18X63	770	24-36	725	20-30	749.5	20-35	730	24-33	
28 700	163	55	300	254	8-18	200	5.5		2-18X63	840	24-36	840	24-30	863.5	28-35	840	24-33	
30 750	165	55	300	254	8-18	200	5.5		2-18X63	914	24-39	914	24-33	914.5	28-11/4	900	24-33	
32 800	188	55	300	254	8-18	200	5.5		2-18X63	950	24-39	950	24-33	978	28-41	950	28-33	
36 900	203	75	300	254	8-18	200	5.5		2-20X100	1050	28-39	1050	28-33	1086	32-41	1050	28-33	
40 1000	216	85	300	254	8-18	200	5.5		2-20X100	1170	28-42	1160	28-36	1200	36-41	1160	28-39	
42 1050	251	96	300	254	8-18	200	5.5		2-25X140	1257	32-44	1257	32-37	1257.5	36-41	1270	28-39	
48 1200	276	105	350	298	8-23	230	5.5		2-28X140	1390	32-50	1380	32-41	1422	5	40-41	1380	32-39

Abidjan, Cocody 7eme Tranche non
de l'Eglise Saint AMBROISE MAVIGNE

www.iveapc-limited.com



CONTACTEZ NOUS

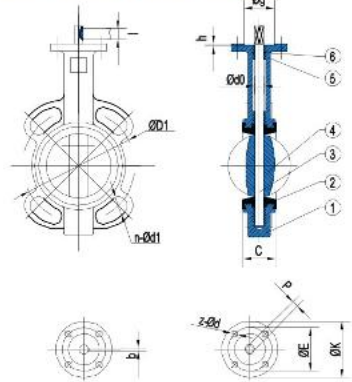
+225 27 22 34 45 36

+225 07 13 32 45 82

contact@iveapc-limited.com



Wafer Butterfly Valve (As2129)



- Type: Wafer
- Face to Face: API609, BS5155, DIN3202, ISO5752
- Flange: DIN, BS, UNI, ISO, ANSI, AS, JIS
- Mounting Flange: ISO5211
- Working Pressure: PN16(200PSI)
- Application: HVAC, Water Supply & Sewage, Food & Beverage, Chemical, petrochemical, processing, Power and Utilities, Paper and Pulp, Ship Building.

STANDARD MATERIALS OF MAIN PARTS

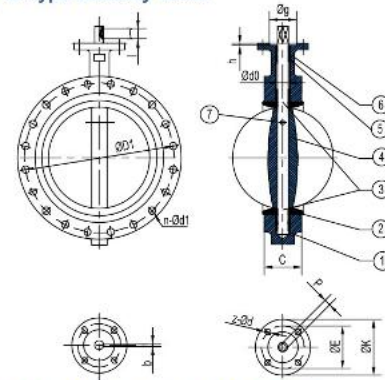
ITEM	PART NAME	MATERIAL
1	Body	CI/DI/CS/SS
2	Seat	EPDM/PTFE/ITON/NBR/Hypalon
3	Shaft	SS416/316/304
4	Disc	CF8/CF8M/DI+NiBronze
5	Bushing	PTFE/Bronze
6	O Ring	NBR/EPDM

DIMENSIONS:(mm)

SIZE in. DN	C	d0	K	E	z-d	g	h	P	bXl	PN16		PN10		ANSI 150		JIS 10K		
										D1	n-Ød1	D1	n-Ød1	D1	n-Ød1	D1	n-Ød1	
2	50	42	12.6	77	50	4-7	35	3	9	3X16	125	4-18	125	4-18	120.5	4-19	120	4-19
2.5	65	44.7	12.6	77	50	4-7	35	3	9	3X16	145	4-18	145	4-18	139.5	4-19	140	4-19
3	80	45.2	12.6	77	50	4-7	35	3	9	3X16	160	8-18	160	8-18	152.5	4-19	150	4-19
4	100	52.1	15.77	90	70	4-9	55	3	11	5X19	180	8-18	180	8-18	190.5	8-19	175	8-19
5	125	54.4	18.92	90	70	4-9	55	3	14	5X19	210	8-18	210	8-18	216	8-22	210	8-23
6	150	55.8	18.92	90	70	4-9	55	3	14	5X19	240	8-23	240	8-23	241.5	8-22	240	8-23
8	200	60.6	22.1	125	102	4-12	70	3.5	17	5X19	295	12-23	295	8-23	298.5	8-22	290	12-23
10	250	65.6	28.45	125	102	4-12	70	3.5	22	8X28	355	12-27	350	12-23	362	12-25	355	12-25
12	300	78.9	31.6	125	102	4-12	70	3.5	22	8X28	410	12-27	400	12-23	432	12-25	400	16-25
14	350	76.9	31.6	125	102	4-12	70	3.5	22	8X28	470	16-27	460	16-23	476	12-29	445	16-25
16	400	86.5	33.15	175	140	4-18	100	4	24	10X50	525	16-30	515	16-27	540	16-29	510	16-27
18	450	105.6	38	175	140	4-18	100	4	27	10X50	585	20-30	565	20-27	578	16-32	565	20-27
20	500	127	41.15	175	140	4-18	100	4	32	10X50	650	20-33	620	20-27	635	20-32	620	20-27
24	600	152	50.65	210	165	4-23	130	5	36	2-16X60	770	24-36	725	20-30	749.5	20-35	730	24-33
28	700	163	55	300	254	8-18	200	5.5		2-18X63	840	24-36	840	24-30	863.5	28-35	840	24-33
30	750	165	55	300	254	8-18	200	5.5		2-18X63	914	24-39	914	24-33	914.5	28-11/4"	900	24-33
32	800	188	55	300	254	8-18	200	5.5		2-18X63	950	24-39	950	24-33	978	28-41	950	28-33
36	900	203	75	300	254	8-18	200	5.5		2-20X100	1050	28-39	1050	28-33	1086	32-41	1050	28-33
40	1000	216	85	300	254	8-18	200	5.5		2-20X100	1170	28-42	1160	28-36	1200	36-41	1160	28-39
42	1050	251	95	300	254	8-18	200	5.5		2-25X140	1257	32-44	1257	32-37	1257.5	36-41	1270	28-39
48	1200	276	105	350	298	8-23	230	5.5		2-28X140	1390	32-50	1380	32-41	1422.5	40-41	1380	32-39



U-Type Butterfly Valve



- Type: Wafer
- Face to Face: API609, BS5155, DIN3202, ISO5752
- Flange: DIN, BS, UNI, ISO, ANSI, AS, JIS
- Mounting Flange: ISO5211
- Working Pressure: PN16(200PSI)
- Application: HVAC, Water Supply & Sewage, Food & Beverage, Chemical, petrochemical, processing, Power and Utilities, Paper and Pulp, Ship Building.

STANDARD MATERIALS OF MAIN PARTS

ITEM	PART NAME	MATERIAL
1	Body	CI/DI/CS/SS
2	Seat	EPDM/PTFE/ITON/NBR/Hypalon
3	Shaft	SS416/316/304
4	Disc	CF8/CF8M/DI+Ni
5	Pin	SS304/SS316
6	Bushing	PTFE/Bronze
7	O Ring	NBR/EPDM

DIMENSIONS:(mm)

SIZE in. DN	C	d0	K	E	z-d	g	h	P	bXl	PN16		PN10		ANSI 150		
										D1	n-Ød1	4-M	D1	n-Ød1	4-M	D1
2	50	42	12.6	77	50	4-7	35	3	9	3X16	125	4-18	125	4-18	120.5	4-19
2.5	65	44.7	12.6	77	50	4-7	35	3	9	3X16	145	4-18	145	4-18	139.5	4-19
3	80	45.2	12.6	77	50	4-7	35	3	9	3X16	160	8-18	160	8-18	152.5	4-19
4	100	52.1	15.77	90	70	4-9	55	3	11	5X19	180	8-18	180	8-18	190.5	8-19
5	125	54.4	18.92	90	70	4-9	55	3	14	5X19	210	8-18	210	8-18	216	8-22
6	150	55.8	18.92	90	70	4-9	55	3	14	5X19	240	8-23	240	8-23	241.5	8-22
8	200	60.6	22.1	125	102	4-12	70	3.5	17	5X19	295	12-23	295	8-23	298.5	8-22
10	250	65.6	28.45	125	102	4-12	70	3.5	22	8X28	355	12-27	350	12-23	362	12-25
12	300	78.9	31.6	125	102	4-12	70	3.5	22	8X28	410	12-27	400	12-23	432	12-25
14	350	76.9	31.6	125	102	4-12	70	3.5	22	8X28	470	16-27	460	16-23	476	12-29
16	400	86.5	33.15	175	140	4-18	100	4	24	10X50	525	16-30	515	16-27	540	16-29
18	450	105.6	38	175	140	4-18	100	4	27	10X50	585	20-30	565	20-27	578	16-32
20	500	127	41.15	175	140	4-18	100	4	32	10X50	650	20-33	620	20-27	635	20-32
24	600	152	50.65	210	165	4-23	130	5	36	2-16X60	770	24-36	725	20-30	749.5	20-35
28	700	163	55	300	254	8-18	200	5.5		2-18X63	840	24-36	840	24-30	863.5	28-35
30	750	165	55	300	254	8-18	200	5.5		2-18X63	914	24-39	914	24-33	914.5	28-35
32	800	188	55	300	254	8-18	200	5.5		2-18X63	950	24-39	950	24-33	978	28-41
36	900	203	75	300	254	8-18	200	5.5		2-20X100	1050	28-39	1050	28-33	1086	32-41
40	1000	216	85	300	254	8-18	200	5.5		2-20X100	1170	28-42	1160	28-36	1200	36-41
42	1050	251	95	300	254	8-18	200	5.5		2-25X140	1257	32-44	1257	32-37	1257.5	36-41
48	1200	276	105	350	298	8-23	230	5.5		2-28X140	1390	32-50	1380	32-41	1422.5	40-41

Abidjan, Cocody Teme Tranche non
de l'Eglise Saint AMBROISE MAVIGNE

www.iveapc-limited.com



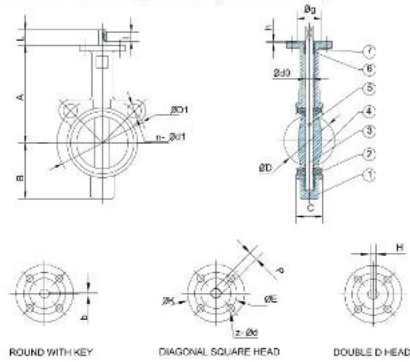
CONTACTEZ NOUS

+225 27 22 34 45 36
+225 07 13 32 45 82

contact@iveapc-limited.com



Wafer Butterfly Valve (Two Holes)



- Type: Wafer
- Face to Face: API609, BS5155, DIN3202, ISO5752
- Flange: DIN, BS, UNI, ISO, ANSI, AS, JIS
- Mounting Flange: ISO5211
- Working Pressure: PN16(200PSI)
- Application: HVAC, Water Supply & Sewage, Food & Beverage, Chemical, petrochemical/processing, Power and Utilities, Paper and Pulp, Ship Building.

STANDARD MATERIALS OF MAIN PARTS

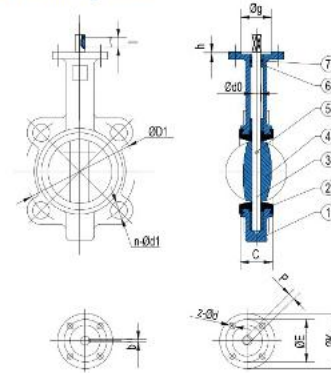
ITEM	PART NAME	MATERIAL
1	Body	Cast Iron, Ductile Iron, Carbon Steel, Stainless Steel
2	Seat	NBR, EPDM, Viton, Neoprene, Hypalon, Silicon
3	Shaft	Stainless Steel 416, 316, 304
4	Disc	Ductile Iron + Ni, CF8, CF8M, Bronze
5	Pin	Stainless Steel
6	Bushing	PTFE, Bronze
7	O Ring	NBR, EPDM

DIMENSIONS:(mm)

SIZE in DN	A	B	C	D	L	d0	P	H	key bxl	UPPER FLANGE				ANSI 150		DIN PN10/16			
										K	E	z-d	g	h	D1	n-Ød1	D1	n-Ød1	
2	50	140	80	42	52.6	32	12.6	9	10	3X16	77	50	4-7	35	3	120.5	4-19	125	4-18
2-1/2	65	152	89	44.7	64.5	32	12.6	9	10	3X16	77	50	4-7	35	3	139.5	4-19	145	4-18
3	80	159	95	45.2	78.8	32	12.6	9	10	3X16	77	50	4-7	35	3	152.5	4-19	160	4-18
4	100	178	114	52.1	104	32	15.77	11	12	5X19	90	70	4-9	55	3	190.5	8-19	180	8-18
5	125	190	127	54.4	123.3	32	18.92	14	14	5X19	90	70	4-9	55	3	216	8-22	210	8-18
6	150	203	139	55.8	155.6	32	18.92	14	14	5X19	90	70	4-9	55	3	241.5	8-22	240	8-23
8	200	238	175	60.6	202.5	45	22.1	17	17	5X19	125	102	4-12	70	3.5	298.5	8-22	295	8-12-23
10	250	268	203	65.6	250.5	45	28.45	22	22	8X28	125	102	4-12	70	3.5	362	12-25	350/355	12-23/27
12	300	306	242	76.9	301.6	45	31.6	22	24	8X28	125	102	4-12	70	3.5	432	12-25	400/410	12-23/27



Wafer Butterfly Valve



- Type: Wafer
- Face to Face: API609, BS5155, DIN3202, ISO5752
- Flange: DIN, BS, UNI, ISO, ANSI, AS, JIS
- Mounting Flange: ISO5211
- Working Pressure: PN16(200PSI)
- Application: HVAC, Water Supply & Sewage, Food & Beverage, Chemical, petrochemical/processing, Power and Utilities, Paper and Pulp, Ship Building.

STANDARD MATERIALS OF MAIN PARTS

ITEM	PART NAME	MATERIAL
1	Body	CI/DI/CS/SS
2	Seat	EPDM/PTFE/VITON/NBR/Hypalon
3	Shaft	SS416/316/304
4	Disc	CF8/CF8M/DI+Ni
5	Pin	SS304/SS316
6	Bushing	PTFE/Bronze
7	O Ring	NBR/EPDM

DIMENSIONS:(mm)

SIZE in DN	C	d0	K	E	z-d	g	h	P	bXl	PN16		PN10		ANSI 150		JIS 10K		
										D1	n-Ød1	D1	n-Ød1	D1	n-Ød1	D1	n-Ød1	
2	50	42	12.6	77	50	4-7	35	3	9	3X16	125	4-18	125	4-18	120.5	4-19	120	4-19
2.5	65	44.7	12.6	77	50	4-7	35	3	9	3X16	145	4-18	145	4-18	139.5	4-19	140	4-19
3	80	45.2	12.6	77	50	4-7	35	3	9	3X16	160	8-18	160	8-18	152.5	4-19	150	4-19
4	100	52.1	15.77	90	70	4-9	55	3	11	5X19	180	8-18	180	8-18	190.5	8-19	175	8-19
5	125	54.4	18.92	90	70	4-9	55	3	14	5X19	210	8-18	210	8-18	216	8-22	210	8-23
6	150	55.8	18.92	90	70	4-9	55	3	14	5X19	240	8-23	240	8-23	241.5	8-22	240	8-23
8	200	60.6	22.1	125	102	4-12	70	3.5	17	5X19	295	12-23	295	8-23	298.5	8-22	290	12-23
10	250	65.6	28.45	125	102	4-12	70	3.5	22	8X28	355	12-27	350	12-23	362	12-25	355	12-25
12	300	76.9	31.6	125	102	4-12	70	3.5	22	8X28	410	12-27	400	12-23	432	12-25	400	16-25
14	350	76.9	31.6	125	102	4-12	70	3.5	22	8X28	470	16-27	460	16-23	476	12-29	445	16-25
16	400	86.5	33.15	175	140	4-18	100	4	24	10X50	525	16-30	515	16-27	540	16-29	510	16-27
18	450	105.8	38	175	140	4-18	100	4	27	10X50	585	20-30	585	20-27	578	16-32	585	20-27
20	500	127	41.15	175	140	4-18	100	4	32	10X50	650	20-33	620	20-27	635	20-32	620	20-27
24	600	152	50.65	210	165	4-23	130	5	36	2-18X63	770	24-36	725	20-30	749.5	20-35	730	24-33
28	700	163	55	300	254	8-18	200	5.5		2-18X63	840	24-36	840	24-30	863.5	28-35	840	24-33
30	750	165	55	300	254	8-18	200	5.5		2-18X63	914	24-39	914	24-33	914.5	28-11/4	900	24-33
32	800	188	55	300	254	8-18	200	5.5		2-18X63	950	24-39	950	24-33	978	28-41	950	28-33
36	900	203	75	300	254	8-18	200	5.5		2-20X100	1050	28-39	1050	28-33	1086	32-41	1050	28-33
40	1000	216	85	300	254	8-18	200	5.5		2-20X100	1170	28-42	1160	28-36	1200	36-41	1160	28-39
42	1050	251	95	300	254	8-18	200	5.5		2-25X140	1257	32-44	1257	32-37	1257.5	36-41	1270	28-39
48	1200	276	105	350	298	8-23	230	5.5		2-28X140	1390	32-50	1380	32-41	1422.5	40-41	1380	32-39

Abidjan, Cocody 7eme Tranche non de l'Eglise Saint AMBROISE MAVIGNE

www.iveapc-limited.com



CONTACTEZ NOUS

+225 27 22 34 45 36

+225 07 13 32 45 82

contact@iveapc-limited.com

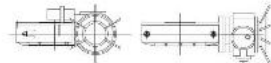
CONCENTRIC BUTTERFLY VALVE



Water works and water resource project
 Environment protection
 Public facilities
 Power and public utilities
 Building industry
 Petroleum, chemical
 Steel, metallurgy
 Paper making industry
 Foods, Beverage



Configurable drives

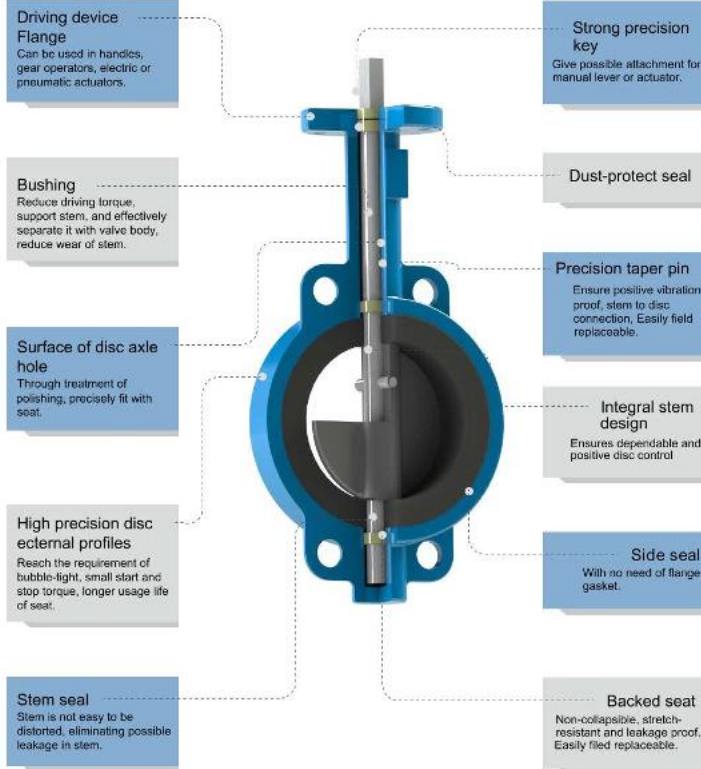


Pneumatic actuators

Electric Actuator

Butterfly valve as used as shutting-off or throttling unit for petroleum processing, chemicals, food, medicine, textile, paper making, hydroelectricity engineering as well as light industry, etc. it can be installed in any selected position.

Through precise manufacturing, the main parts of this butterfly valve ensure valve's operation in long stable and reliable condi



Abidjan, Cocody 7eme Tranche non de l'Eglise Saint AMBROISE MAVIGNE

 www.iveapc-limited.com



CONTACTEZ NOUS

 +225 27 22 34 45 36
 +225 07 13 32 45 82
 contact@iveapc-limited.com

CONTENTS



Butterfly Valve



- | | |
|--|---|
| 03 Products | 17 Lug Butterfly Valve(Through Shaft With Pin) |
| 05 Wafer Butterfly Valve (Two Holes) | 18 Lug Butterfly Valve (Through Shaft Without Pin) |
| 06 Wafer Butterfly Valve | 19 Lug Butterfly Valve (Half Shaft Without Pin) |
| 07 Wafer Butterfly Valve (As2129) | 20 Lug Butterfly Valve (PTFE Through Shaft Without Pin) |
| 08 U-Type Butterfly Valve | 21 Grooved End Butterfly Valve |
| 09 Wafer Butterfly Valve (Half Shaft Without Pin) | 22 Resilient Seated Eccentric Flanged Butterfly Valve |
| 10 Wafer Butterfly Valve (Through Shaft Without Pin) | 23 Metal Seated Eccentric Butterfly Valve (Wafer Type) |
| 11 Wafer Butterfly Valve (Four Holes With Tongue-And-Groove Seat) | 24 PVC Butterfly valve |
| 12 Wafer Butterfly Valve (with tongue And Groove Seat Without Pin) | |
| 13 PTFE Coated Butterfly Valve(Wafer Type) | |
| 14 Flange Butterfly Valve | |

Gate Valve



- | |
|--|
| 25 Gate Valve |
| 27 Non-Rising Stem Resilient Seated Gate Valve |
| 28 Non-Rising Stem Solid Wedge Gate Valve |
| 29 Rising Stem Resilient Seated Gate Valve |
| 30 Rising Stem Solid Wedge Gate Valve |
| 31 Parallel Double Discs Gate Valve 30ch6or |
| 32 Knife gate valve |

Check Valve



- | |
|---------------------------------|
| 33 Check Valve |
| 35 Dual Plate Wafer Check Valve |
| 36 Swing Check Valve |
| 37 Ball Type Check Valve |
| 38 Tilting Check Valve |
| 39 Seated Gate Valve With |

Y-Strainer



- | |
|---------------|
| 43 Y-Strainer |
|---------------|

Valve Pipe Connection Accessories



- | |
|---|
| 45 Single Sphere Connector With Flange |
| 46 Double Ball Connector With Flange |
| 47 Pressure Reducing Valve |
| 48 Dismantling Joint |
| 49 Universal Coupling(wide range) |
| 50 Universal Flange Adaptor(wide range) |
| 51 Quick Flange Adaptor For PE/PVC Pipe |

Ball Valve



- | |
|---------------|
| 41 Ball Valve |
|---------------|

Foot Valve



- | |
|---------------|
| 42 Foot Valve |
|---------------|

Globe Valve



- | |
|----------------|
| 44 Globe Valve |
|----------------|

Certification

- | |
|-----------------------------|
| 53 ISO9001 Certification |
| 54 ISO9001 Certification |
| 55 ISO9001 Certification |
| 56 ACS Certification |
| 57 ACS And BV Certification |
| 58 ISO 45001-ISO24001 |

Abidjan, Cocody 7eme Tranche non de l'Eglise Saint AMBROISE MAVIGNE

www.iveapc-limited.com



CONTACTEZ NOUS

+225 27 22 34 45 36
+225 07 13 32 45 82

contact@iveapc-limited.com

CONCENTRIC GATE VALVE

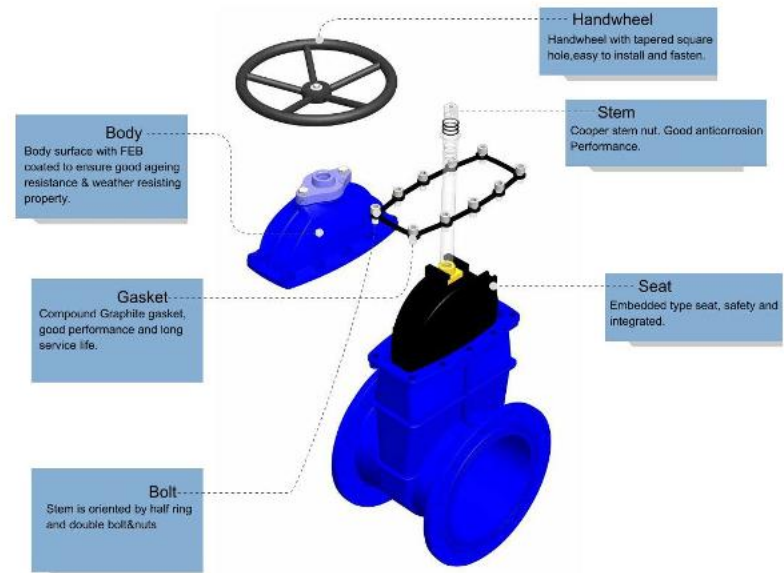


Water works and water resource project
 Environment protection
 Public facilities
 Power and public utilities
 Building industry
 Petroleum, chemical
 Steel, metallurgy
 Paper making industry
 Foods, Beverage

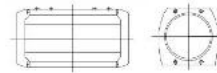


Gate valve as used as shutting off or throttling unit for petroleum processing, chemicals, food, medicine, textile, paper making, hydroelectricity engineering as well as light industry, etc. it can be installed in any selected position.

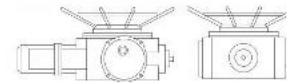
Through precise manufacturing, the main parts of this butterfly valve ensure valve's operation in long, stable and reliable condition.



Configurable drives



Pneumatic actuators



Electric Actuator

Abidjan, Cocody 7eme Tranche non de l'Eglise Saint AMBROISE MAVIGNE

 www.iveapc-limited.com



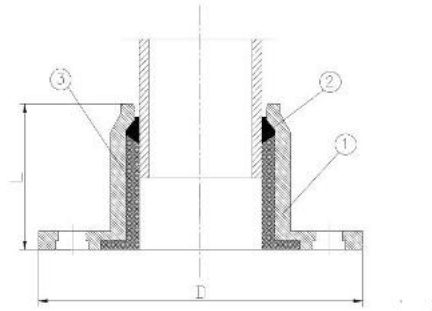
CONTACTEZ NOUS

 +225 27 22 34 45 36
 +225 07 13 32 45 82

 contact@iveapc-limited.com



Quick Flange Adaptor For PE/PVC Pipe (and DI pipe)



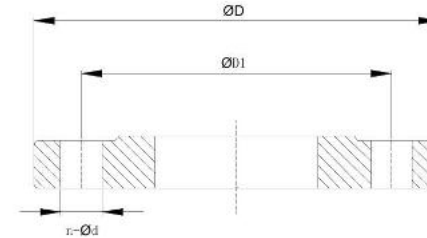
For PVC Pipe



For PE Pipe



Flange



* Nominal pressure: PN1.0MPa
PN1.6MPa
* Standard: GB/T9119-2000
Material: WCB

STANDARD MATERIALS OF MAIN PARTS

NO	NAME	Material	Standard
1	Body	Ductile Iron	En1563
2	Rubber	EPDM/NBR	EN681-1
3	Grip Ring	Brass	CuZn36Pb3



Installation diagram

STANDARD MATERIALS OF MAIN PARTS

PN10/PN16(Multi Flange Holes)				
Size	Pipe OD	L	D	Weight(kg)
Dn40-50	50	50	165	1.7
Dn50	63	55	165	1.8
Dn60-65	63	55	185	2.4
Dn60-65	75	58	185	2.2
Dn80	90	60	200	2.8
Dn100	110	68	220	4.0
Dn125	125	70	250	4.2
Dn125	140	75	250	4.1
Dn150	160	80	285	6.5
Dn200	200	90	340	8.5
Dn200	225	93	340	8.0
Dn250	250	95	400	12.5
Dn300	315	100	455	15.0
Dn400	400	120	580	25.0

Pn16

Size	D	D1	rad
Dn50	165	125	4X18
Dn65	185	145	8X18
Dn80	200	160	8X18
Dn100	220	180	8X18
Dn125	250	210	8X18
Dn150	285	240	8X22
Dn200	340	295	12X26
Dn250	400	355	12X26
Dn300	460	410	16X26
Dn350	520	470	16X26
Dn400	580	525	16X30
Dn450	640	585	20X30
Dn500	715	650	20X30
DN600	840	770	20X36

Pn10

Size	D	D1	rad
Dn50	155	125	4X18
Dn65	155	145	8X18
Dn80	200	160	8X18
Dn100	220	180	8X18
Dn125	250	210	8X18
Dn150	285	240	8X22
Dn200	340	295	8X22
Dn250	395	350	12X22
Dn300	445	400	12X22
Dn350	505	460	16X22
Dn400	455	515	16X26
Dn450	515	565	20X26
Dn500	670	620	20X26
DN600	750	725	20X30

Abidjan, Cocody 7eme Tranche non de l'Eglise Saint AMBROISE MAVIGNE

www.iveapc-limited.com



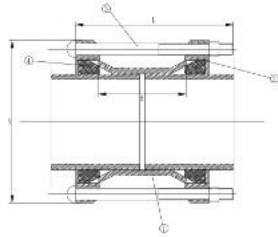
CONTACTEZ NOUS

+225 27 22 34 45 36
+225 07 13 32 45 82

contact@iveapc-limited.com



Universal Coupling(wide range)



DIMENSIONS:(mm)

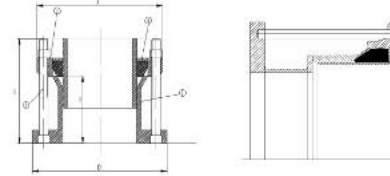
Pipe	Range	Bolt	L	H	Weight	Flange	ST	PVC	AC	Cl	DRP
Norm			mm	mm	kg/m		★	▲	◆	○	+
Dn40	48-60	M12X170	2	150	88	2.4	★	▲	◆	○	+
Dn50	59-72	M12X170	2	158	96	2.5	★	▲	◆	○	+
Dn65	72-85	M12X170	2	174	96	3.2	★	▲	◆	○	+
Dn80	88-103	M12X180	4	185	98	4.0	★	▲	◆	○	+
Dn100	96-116	M12X180	4	205	98	4.5	★	▲	◆	○	+
Dn100	105-125	M12X180	4	210	98	4.8	★	▲	◆	○	+
Dn100	105-125	M12X180	4	210	98	4.8	★	▲	◆	○	+
Dn100	105-128	M12X180	4	218	98	4.8	★	▲	◆	○	+
Dn125	132-146	M12X180	4	240	98	6.1	★	▲	◆	○	+
Dn125	132-150	M12X180	4	246	98	6.2	★	▲	◆	○	+
Dn150	152-172	M12X200	4	275	103	7.0	★	▲	◆	○	+
Dn150	152-175	M12X200	4	275	103	7.0	★	▲	◆	○	+
Dn150	152-182	M12X200	4	280	110	7.2	★	▲	◆	○	+
Dn175	182-210	M12X210	4	321	130	9.0	★	▲	◆	○	+
Dn200	182-225	M12X210	4	329	130	9.5	★	▲	◆	○	+
Dn200	212-235	M12X220	4	328	130	10.0	★	▲	◆	○	+
Dn225	242-262	M12X220	6	369	130	12.0	★	▲	◆	○	+
Dn250	282-287	M12X220	8	368	130	14.0	★	▲	◆	○	+
Dn250	282-274	M12X220	8	370	130	14.0	★	▲	◆	○	+
Dn250	272-289	M12X220	8	382	130	14.0	★	▲	◆	○	+
Dn300	312-332	M12X220	8	439	130	16.5	★	▲	◆	○	+
Dn300	322-338	M12X220	8	435	130	16.0	★	▲	◆	○	+
Dn350	342-399	M12X220	6	455	130	20.0	★	▲	◆	○	+
Dn350	351-378	M12X230	8	519	130	23.0	★	▲	◆	○	+
Dn350	374-391	M12X230	8	529	130	24.0	★	▲	◆	○	+
Dn400	380-410	M12X220	8	539	130	25.0	★	▲	◆	○	+
Dn400	388-430	M12X270	8	560	140	28.0	★	▲	◆	○	+
Dn400	417-437	M12X240	8	555	130	28.0	★	▲	◆	○	+
Dn400	425-442	M12X240	8	569	130	28.0	★	▲	◆	○	+
Dn450	450-483	M12X270	8	585	130	30.0	★	▲	◆	○	+
Dn450	455-475	M12X270	10	609	130	32.0	★	▲	◆	○	+
Dn450	476-500	M12X270	10	629	130	36.0	★	▲	◆	○	+
Dn500	500-538	M12X270	10	629	130	36.0	★	▲	◆	○	+
Dn500	500-533	M12X280	10	630	140	39.0	★	▲	◆	○	+
Dn500	525-546	M12X270	10	663	130	40.0	★	▲	◆	○	+
Dn600	600-630	M12X270	10	725	130	47.0	★	▲	◆	○	+
Dn600	608-636	M12X270	10	749	130	48.0	★	▲	◆	○	+
Dn600	630-650	M12X270	10	745	130	50.0	★	▲	◆	○	+
Dn700	710-739	M12X280	12	875	155	70.0	★	▲	◆	○	+
Dn800	810-842	M12X330	12	985	180	80.0	★	▲	◆	○	+

STANDARD MATERIALS OF MAIN PARTS

NO	Reference	Material	Standard
1	Sleeve	Steel/Juvenile Iron	S235EN1593
2	End Ring	Ductile Iron GG450-10	EN1563
3	Bolt And Nut	Steel 8.8 Diameter22ncd	ISO883-1
4	Gasket	EPDM/NBR	EN853-1
5	Coating	FBE/Rislan Nylon	EN14901



Universal Flange Adaptor(wide range)



STANDARD MATERIALS OF MAIN PARTS

Pipe	Range	Pressure	Bolt	L	H	D	Weight	ST	PVC	AC	Cl	DRP
Norm				mm	mm	mm	kg	★	▲	◆	○	+
Dn40	48-60	PN10/5	M12X130	2	150	150	2.8	★	▲	◆	○	+
Dn50	59-72	PN10/5	M12X130	2	156	165	3.0	★	▲	◆	○	+
Dn65	72-85	PN10/5	M12X130	2	174	160	3.0	★	▲	◆	○	+
Dn80	88-103	PN10/5	M12X130	4	185	200	4.8	★	▲	◆	○	+
Dn100	96-116	PN10/5	M12X130	4	205	220	5.0	★	▲	◆	○	+
Dn100	106-120	PN10/5	M12X130	4	210	220	5.3	★	▲	◆	○	+
Dn100	105-125	PN10/5	M12X130	4	210	220	5.3	★	▲	◆	○	+
Dn100	100-128	PN10/5	M12X130	4	218	220	5.5	★	▲	◆	○	+
Dn125	132-146	PN10/5	M12X140	4	240	250	6.5	★	▲	◆	○	+
Dn125	138-153	PN10/5	M12X140	4	246	250	6.8	★	▲	◆	○	+
Dn150	158-172	PN10/5	M12X140	4	275	285	7.5	★	▲	◆	○	+
Dn150	155-175	PN10/5	M12X140	4	275	285	7.5	★	▲	◆	○	+
Dn150	159-182	PN10/5	M12X140	4	280	285	7.8	★	▲	◆	○	+
Dn175	182-210	PN10/5	M12X140	4	312	340	8.0	★	▲	◆	○	+
Dn200	182-210	PN10/5	M12X140	4	312	340	8.0	★	▲	◆	○	+
Dn200	198-225	PN10/5	M12X140	4	320	340	8.0	★	▲	◆	○	+
Dn200	214-235	PN10/5	M12X140	4	328	340	8.0	★	▲	◆	○	+
Dn250	242-262	PN10/5	M12X140	6	352	400	8.5	★	▲	◆	○	+
Dn250	260-287	PN10/5	M12X140	6	358	400	8.5	★	▲	◆	○	+
Dn250	260-274	PN10/5	M12X150	6	370	400	8.5	★	▲	◆	○	+
Dn250	272-289	PN10/5	M12X150	6	382	400	8.5	★	▲	◆	○	+
Dn300	312-332	PN10/5	M12X150	6	432	455	11.0	★	▲	◆	○	+
Dn300	322-338	PN10/5	M12X150	6	435	455	11.0	★	▲	◆	○	+
Dn300	340-380	PN16	-M12X170	6	455	455	11.0	★	▲	◆	○	+
Dn350	340-380	PN10/5	M12X150	6	455	520	11.5	★	▲	◆	○	+
Dn350	351-378	PN10/5	M12X170	8	510	520	12.0	★	▲	◆	○	+
Dn350	374-391	PN10/5	M12X180	8	520	520	12.0	★	▲	◆	○	+
Dn400	380-410	PN10/5	M12X150	8	530	560	13.0	★	▲	◆	○	+
Dn400	388-430	PN10/5	M12X210	8	560	560	13.0	★	▲	◆	○	+
Dn400	417-437	PN10/5	M12X160	8	555	560	13.0	★	▲	◆	○	+
Dn400	425-442	PN10/5	M12X160	8	560	560	13.0	★	▲	◆	○	+
Dn400	450-483	PN16	-M12X180	8	585	560	13.0	★	▲	◆	○	+
Dn450	455-475	PN10/5	M12X180	10	630	640	13.0	★	▲	◆	○	+
Dn450	475-500	PN10/5	M12X180	10	630	640	13.0	★	▲	◆	○	+
Dn500	500-538	PN10/5	M12X180	10	630	715	14.5	★	▲	◆	○	+
Dn500	500-533	PN10/5	M12X210	10	660	715	12.5	★	▲	◆	○	+
Dn600	600-630	PN10/5	M12X180	10	683	715	14.5	★	▲	◆	○	+
Dn600	600-630	PN10/5	M12X180	10	725	840	14.0	★	▲	◆	○	+
Dn600	608-630	PN10/5	M12X200	10	740	840	13.0	★	▲	◆	○	+
Dn600	630-650	PN10/5	M12X180	10	745	840	15.5	★	▲	◆	○	+
Dn700	710-739	PN10/5	M12X180	12	875	910	14.0	★	▲	◆	○	+
Dn800	810-842	PN10/5	M12X230	12	985	1025	12.0	★	▲	◆	○	+

STANDARD MATERIALS OF MAIN PARTS

NO	Reference	Material	Standard
1	Sleeve	Steel/Juvenile Iron	S235EN1593
2	End Ring	Ductile Iron GG450-10	EN1563
3	Bolt And Nut	Steel 8.8 Diameter22ncd	ISO883-1
4	Gasket	EPDM/NBR	EN853-1
5	Coating	FBE/Rislan Nylon	EN14901

Abidjan, Cocody 7eme Tranche non de l'Eglise Saint AMBROISE MAVIGNE

www.iveapc-limited.com



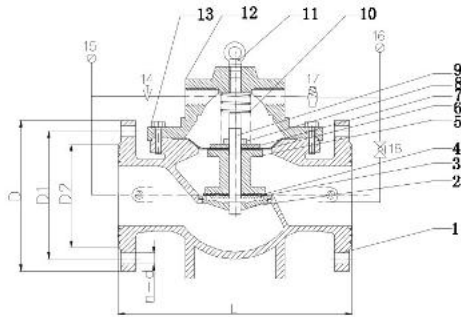
CONTACTEZ NOUS

+225 27 22 34 45 36
+225 07 13 32 45 82

contact@iveapc-limited.com



Pressure Reducing Valve



- **Type:** Flange
- **Flange:** DIN, BS, UNI, ISO, ANSI, AS, JIS
- **Working Pressure:** PN16(200PSI)
- **Application:** HVAC, Water Supply & Sewage, Food & Beverage, Chemical/ petrochemical/processing, Power and Utilities, Paper and Pulp, Ship Building.

DIMENSIONS:(mm)

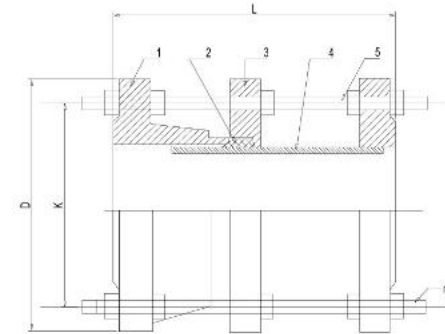
SIZE	DN	L	PN16				PN18			
			D1	n-d	D2	D	D1	n-d	D2	D
2	50	215	125	4-19	99	160	125	4-19	99	180
2.5	65	235	145	4-19	118	180	145	4-19	118	180
3	80	250	150	8-19	132	195	150	8-19	132	195
4	100	280	180	8-19	166	215	180	8-19	166	215
5	125	325	210	8-19	184	245	210	8-19	184	245
6	150	360	240	8-23	211	290	240	8-23	211	290
8	200	420	295	8-23	286	335	295	12-23	286	335
10	250	510	350	12-23	319	395	355	12-28	319	405
12	300	600	430	12-23	370	445	410	12-28	370	460
14	350	670	460	16-23	429	505	470	16-28	429	520
16	400	730	515	16-27	489	565	525	16-31	489	580
18	450	730	565	20-28	539	615	585	20-31	539	640
20	500	800	620	20-28	582	670	650	20-34	609	715
24	600	970	725	20-31	682	780	770	20-37	720	845
28	700	1110	840	24-31	794	895	840	24-37	794	910
32	800	1200	950	24-34	901	1015	950	24-40	901	1025

STANDARD MATERIALS OF MAIN PARTS

NO	PART NAME	MATERIAL
1	Body	CI
2	Seat	Brass
3	Platen	Carbon Steel
4	Seat	EPDM
5	Disc	DI
6	Diaphragm	EPDM
7	Platen	Carbon Steel
8	Nut	Stainless Steel
9	Stem	Stainless Steel
10	Spring	Stainless Steel
11	Eye Bolt	Carbon Steel
12	Bonnet	DI
13	Bolts	Stainless Steel
14	Needle Valve	Brass
15	Pressure Gauge	
16	Pressure Gauge	
17	Pilot Valve	Brass
18	Ball Valve	Brass



Dismantling Joint



- **Type:** Flange
- **Face to Face:** API609, BS5155, DIN3202, ISO5752
- **Flange:** DIN, BS, UNI, ISO, ANSI, AS, JIS
- **Mounting Flange:** ISO5211
- **Working Pressure:** PN16(200PSI)
- **Application:** HVAC, Water Supply & Sewage, Food & Beverage, Chemical/ petrochemical/processing, Power and Utilities, Paper and Pulp, Ship Building.

STANDARD MATERIALS OF MAIN PARTS

ITEM	PART NAME	MATERIAL
1	FLANGE	Carbon Steel
2	SEALING RING	NBR
3	GL AND	Carbon Steel
4	PIPE	Carbon Steel
5	BOLT	Carbon Steel 8.8 GRADE Hot Zinc

DIMENSIONS:(mm)

DN	PN25				Expansion Capacity
	D	K	nxd	L	
250	425	370	12*30	230	±20
300	485	430	16*30	250	±20
500	730	660	20*36	300	±25
2000	2425	2300	48*70	470	±30

Abidjan, Cocody 7eme Tranche non de l'Église Saint AMBROISE MAVIGNE

www.iveapc-limited.com



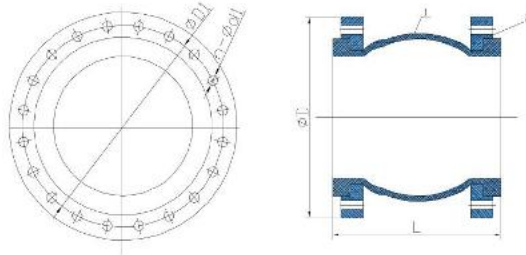
CONTACTEZ NOUS

+225 27 22 34 45 36
+225 07 13 32 45 82

contact@iveapc-limited.com



Single Sphere Connector With Flange



- **Type:**
Flange
- **Face to Face:**
API609,BS5155,DIN3202,ISO5752
- **Flange:**
DIN,BS,UNI,ISO, ANSI, AS, JIS
- **Mounting Flange:**
ISO5211
- **Working Pressure:**
PN16,(200PSI)
- **Appliaction:**
HVAC,Water Supply&Sewage,
Food&Beverage,Chemical/
petrochemical/processing,
Power and Utilities,Paper
and Pulp,Ship Building.

STANDARD MATERIALS OF MAIN PARTS

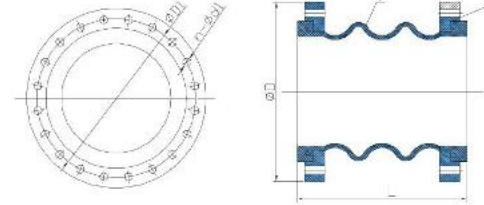
NO	PART NAME	MATERIAL
1	Sphere	EPDM/NBR
2	Flange	CS Coated With Zinc

DIMENSIONS:(mm)

SIZE	L	Pn16			Pn10			ANSI150			
		D	D1	n-d1	D	D1	n-d1	D	D1	n-d1	
1.25	32	95	140	100	4-18	140	100	4-18	117	89	4-16
1.5	40	95	150	110	4-18	150	110	4-18	127	98.5	4-16
2	50	105	165	125	4-18	165	125	4-18	152	120.5	4-19
2.5	65	115	185	145	4-18	185	145	4-18	178	139.5	4-19
3	80	135	200	160	8-18	200	160	8-18	191	152.5	4-19
4	100	150	220	180	8-18	220	180	8-18	229	190.5	8-19
5	125	165	250	210	8-18	250	210	8-18	254	216	8-22
6	150	180	285	240	8-23	285	240	8-23	279	241.5	8-22
8	200	210	340	295	12-23	340	295	8-23	343	298.5	8-22
10	250	230	405	355	12-27	395	350	12-23	406	362	12-25
12	300	245	460	410	12-27	445	400	12-23	483	432	12-25
14	350	255	520	470	16-27	505	460	16-23	533	476	12-29
16	400	255	580	525	16-30	565	515	16-27	597	539.5	16-29
18	450	255	640	585	20-30	615	565	20-27	635	578	16-35
20	500	255	715	650	20-33	670	620	20-27	699	635	20-32
24	600	260	840	770	20-36	780	725	20-30	813	749.5	20-35



Double Ball Connector With Flange



- **Type:**
Flange
- **Face to Face:**
API609,BS5155,DIN3202,ISO5752
- **Flange:**
DIN,BS,UNI,ISO, ANSI, AS, JIS
- **Mounting Flange:**
ISO5211
- **Working Pressure:**
PN16,(200PSI)
- **Appliaction:**
HVAC,Water Supply&Sewage,
Food&Beverage,Chemical/
petrochemical/processing,
Power and Utilities,Paper
and Pulp,Ship Building.

STANDARD MATERIALS OF MAIN PARTS

ITEM	PART NAME	MATERIAL
1	Sphere	EPDM/NBR
2	Flange	CS

DIMENSIONS:(mm)

SIZE	L	Axial displacement		Lateral displacement	Pn16			Pn10			
		Stretch	Compression		D	D1	n-d1	D	D1	n-d1	
2	50	165	30	50	45	165	125	4-18	165	125	4-18
2.5	65	175	30	50	45	185	145	4-18	185	145	4-18
3	80	175	35	50	45	200	160	8-18	200	160	8-18
4	100	225	35	50	40	220	180	8-18	220	180	8-18
5	125	225	35	50	40	250	120	8-18	250	210	8-18
6	150	225	35	50	40	285	240	8-23	285	240	8-23
8	200	325	35	50	40	340	295	12-23	340	295	8-23
10	250	325	35	60	35	405	355	12-27	395	350	12-23
12	300	325	35	60	35	460	410	12-27	445	400	12-23
14	350	325	35	60	40	520	470	16-27	505	460	16-23
16	400	325	35	50	40	580	525	16-30	565	515	16-27

Abidjan, Cocody 7eme Tranche non
de l'Eglise Saint AMBROISE MAVIGNE

www.iveapc-limited.com



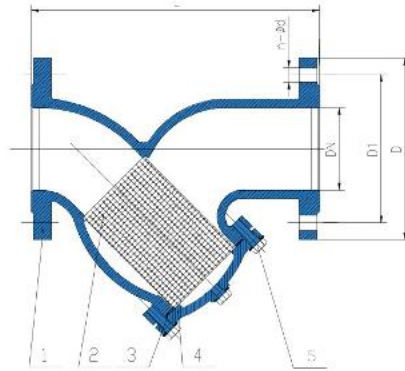
CONTACTEZ NOUS

+225 27 22 34 45 36
+225 07 13 32 45 82

contact@iveapc-limited.com



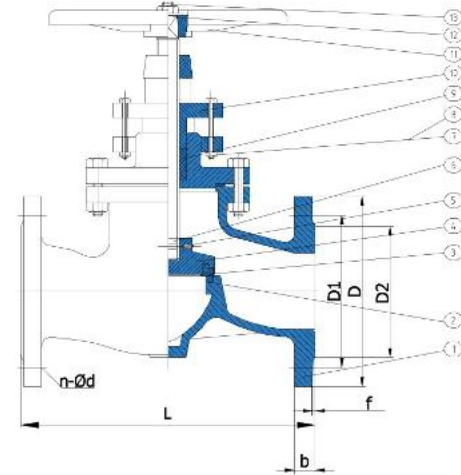
Y-Strainer



- **Type:** Flange
- **Face to Face:** API609, BS5155, DIN3202, ISO5752
- **Flange:** DIN, BS, UNI, ISO, ANSI, AS, JIS
- **Mounting Flange:** ISO5211
- **Working Pressure:** PN16 (200PSI)
- **Application:** HVAC, Water Supply & Sewage, Food & Beverage, Chemical, petrochemical, processing, Power and Utilities, Paper and Pulp, Ship Building.



Globe Valve



- **Type:** Flange
- **Face to Face:** API609, BS5155, DIN3202, ISO5752
- **Flange:** DIN, BS, UNI, ISO, ANSI, AS, JIS
- **Mounting Flange:** ISO5211
- **Working Pressure:** PN16 (200PSI)
- **Application:** HVAC, Water Supply & Sewage, Food & Beverage, Chemical, petrochemical, processing, Power and Utilities, Paper and Pulp, Ship Building.

STANDARD MATERIALS OF MAIN PARTS

ITEM	PART NAME	MATERIAL
1	BOLT	CS
2	BONNET	DI
3	SEATING	RUBBER
4	SCREEN	Ss304
5	BODY	DI

DIMENSIONS:(mm)

DN	F1		DIN PN16		DIN PN10		
	L	D	D1	n-Ød	D	D1	n-Ød
30	230	165	125	4-19	165	125	4-19
65	290	185	145	4-19	185	145	4-19
80	330	200	160	8-19	200	160	8-19
100	350	220	180	8-19	220	180	8-19
125	400	250	210	8-19	250	210	8-19
150	490	285	240	8-23	285	240	8-23
200	600	340	295	12-23	340	295	8-23
250	730	405	355	12-28	395	350	12-23
300	850	460	410	12-28	445	400	12-23
350	960	520	470	16-28	505	460	16-23
400	1100	580	525	16-31	565	515	16-28
450	1200	640	585	20-31	615	565	20-28
500	130	715	650	20-34	670	620	20-28

STANDARD MATERIALS OF MAIN PARTS

ITEM	PART NAME	MATERIAL	MATERIAL
1	BODY	GRAY CAST IRON	ASTM A125B
2	BODY SEAT RING	BRASS	ASTM B62
3	DISC SEAT RING	BRASS	ASTM B62
4	DISC	DUCTILE IRON	ASTM A536
5	DISC NUT	BRASS	ASTM B62
6	STEM	STAINLESS STEEL	ZCR13
7	BONNET BOLT	CARBON STEEL	ASTM A307
8	NUT	CARBON STEEL	ASTM A307
9	PACKING	GRAPHITE	
10	GLAND	DUCTILE IRON	ASTM A536
11	WHEEL	DUCTILE IRON	ASTM A536
12	WASHERS	CARBON STEEL	ASTM A307
13	WHEEL BOLT	CARBON STEEL	ASTM A307

DIMENSIONS:(mm)

DN	L		PN16		PN10		JE 1X		JE 10		
	F1	F2	D1	n-Ød	D	n-Ød	D1	n-Ød	D	n-Ød	
2	63	150	50	1R	102	125	4.19	1R	153	4.19	1R
2.5	63	173	70	1R	102	145	4.19	1R	163	4.19	1R
3	63	193	90	2R	102	160	4.19	2R	163	4.19	2R
4	100	190	90	2R	102	180	4.19	2R	163	4.19	2R
5	125	200	100	2R	110	170	4.19	2R	170	4.19	2R
6	140	210	110	2R	120	180	4.19	2R	180	4.19	2R
8	200	250	160	2R	140	200	4.19	2R	200	4.19	2R
10	250	280	180	2R	160	220	4.19	2R	220	4.19	2R
12	300	275	210	3R	180	240	4.19	3R	240	4.19	3R
14	350	290	230	3R	200	260	4.19	3R	260	4.19	3R
16	400	310	240	4R	220	280	4.19	4R	280	4.19	4R
18	450	330	250	4R	240	300	4.19	4R	300	4.19	4R
20	500	350	260	4R	260	320	4.19	4R	320	4.19	4R
25	550	380	280	5R	280	340	4.19	5R	340	4.19	5R
30	600	410	300	5R	300	360	4.19	5R	360	4.19	5R
35	650	440	320	6R	320	380	4.19	6R	380	4.19	6R
40	700	470	340	6R	340	400	4.19	6R	400	4.19	6R
45	750	500	360	7R	360	420	4.19	7R	420	4.19	7R
50	800	530	380	7R	380	440	4.19	7R	440	4.19	7R
55	850	560	400	8R	400	460	4.19	8R	460	4.19	8R
60	900	590	420	8R	420	480	4.19	8R	480	4.19	8R
65	950	620	440	9R	440	500	4.19	9R	500	4.19	9R
70	1000	650	460	9R	460	520	4.19	9R	520	4.19	9R
75	1050	680	480	10R	480	540	4.19	10R	540	4.19	10R
80	1100	710	500	10R	500	560	4.19	10R	560	4.19	10R
85	1150	740	520	11R	520	580	4.19	11R	580	4.19	11R
90	1200	770	540	11R	540	600	4.19	11R	600	4.19	11R
95	1250	800	560	12R	560	620	4.19	12R	620	4.19	12R
100	1300	830	580	12R	580	640	4.19	12R	640	4.19	12R

Abidjan, Cocody 7eme Tranche non de l'Eglise Saint AMBROISE MAVIGNE

www.iveapc-limited.com



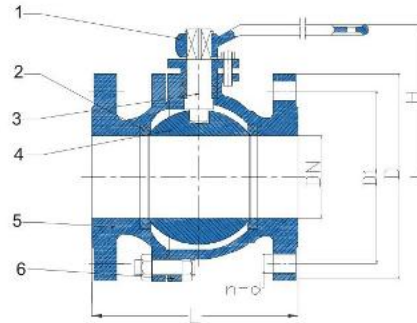
CONTACTEZ NOUS

+225 27 22 34 45 36
+225 07 13 32 45 82

contact@iveapc-limited.com



Ball Valve



- **Type:** Flange
- **Face to Face:** API609, BS5155, DIN3202, ISO5752
- **Flange:** DIN, BS, UNI, ISO, ANSI, AS, JIS
- **Mounting Flange:** ISO5211
- **Working Pressure:** PN16(200PSI)
- **Application:** HVAC, Water Supply & Sewage, Food & Beverage, Chemical, petrochemical, processing, Power and Utilities, Paper and Pulp, Ship Building.

STANDARD MATERIALS OF MAIN PARTS

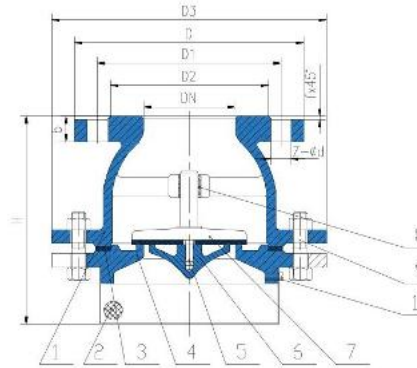
NO	PART NAME	MATERIAL
1	Bonnet	C/IDI
2	Body	C/IDI
3	Ball	SS
4	Stem	Ss410
5	Seat	PTFE
6	Hand lever	C/IDI

DIMENSIONS:(mm)

DN	15	20	25	32	40	50	65	80	100	125	150	200
L	1/2"	3/4"	1"	1 1/4"	1 1/2"	2"	2 1/2"	3"	4"	5"	6"	8"
H	59	63	75	86	105	115	135	155	170	195	240	295
D	95	105	115	140	150	165	185	200	220	250	285	340
D1	65	75	85	100	110	125	145	160	180	210	240	295
n-d	4-15	4-15	4-15	4-19	4-19	4-19	4-19	8-19	8-19	8-19	8-23	12-23



Foot Valve



- **Type:** Flange
- **Face to Face:** API609, BS5155, DIN3202, ISO5752
- **Flange:** DIN, BS, UNI, ISO, ANSI, AS, JIS
- **Mounting Flange:** ISO5211
- **Working Pressure:** PN16(200PSI)
- **Application:** HVAC, Water Supply & Sewage, Food & Beverage, Chemical, petrochemical, processing, Power and Utilities, Paper and Pulp, Ship Building.

STANDARD MATERIALS OF MAIN PARTS

NO	PART NAME	MATERIAL
1	Body	Carbon Steel
2	Screen	Carbon Steel
3	Gasket	Brass
4	Flange Plate	GG25+Rubber
5	Stud Bolt	Gg25
6	Lock Block	Carbon Steel
7	Lock Block	Gg25
8	Disc	Graphite
9	Valve Guide	Stainless Steel
10	Bolt Nut	Gg25

DIMENSIONS:(mm)

DN	40	50	65	80	100	125	150	200	250	300	350
D	150	165	185	200	220	250	285	340	405	460	520
D1	110	125	145	160	180	210	240	295	355	410	470
D2	88	102	122	138	158	188	212	268	320	378	438
D3	170	180	200	240	270	310	360	440	520	590	620
H	137	157	172	186	245	263	343	421	469	609	785
b	18	20		22		24	26		28		
f					3					4	
Z-d	4-18				8-18		8-23	12-23	12-27	16-27	

Abidjan, Cocody 7eme Tranche non de l'Eglise Saint AMBROISE MAVIGNE

www.iveapc-limited.com



CONTACTEZ NOUS

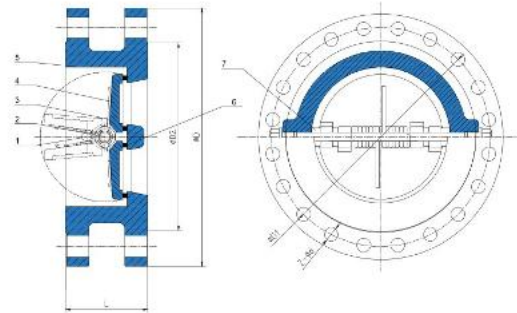
+225 27 22 34 45 36

+225 07 13 32 45 82

contact@iveapc-limited.com



Dual Plate Flange Check Valve



- **Type:** Flange
- **Face to Face:** API609, BS5155, DIN3202, ISO5752
- **Flange:** DIN, BS, UNI, ISO, ANSI, AS, JIS
- **Mounting Flange:** ISO5211
- **Working Pressure:** PN16(200PSI)
- **Application:** HVAC, Water Supply&Sewage, Food&Beverage, Chemical/ petrochemical/processing, Power and Utilities, Paper and Pulp, Ship Building.

STANDARD MATERIALS OF MAIN PARTS

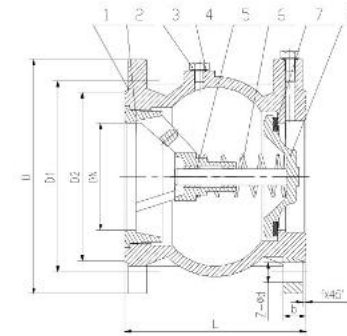
ITEM	PART NAME	MATERIAL
1	STOP PIN	Ss304
2	HINGLE PIN	Ss304
3	SPRING	Ss304
4	PLATE	DI
5	BODY	CI
6	SEAT	EPDM
7	BEARING	PTFE

DIMENSIONS:(mm)

SIZE		PN10					PN16				
in	DN	L	D1	z-d	D2	D	D1	z-d	D2	D	
2	50	43	125	4-19	99	165	125	4-19	99	165	
2.5"	65	46	145	4-19	118	185	145	4-19	118	185	
3	80	64	160	8-19	132	200	160	8-19	132	200	
4	100	64	180	8-19	156	220	180	8-19	156	220	
5	125	70	210	8-19	184	250	210	8-19	184	250	
6	150	76	240	8-23	211	285	240	8-23	211	285	
8	200	89	295	8-23	266	340	295	12-23	266	340	
10	250	114	350	12-23	319	395	355	12-28	319	405	
12	300	114	400	12-23	370	445	410	12-28	370	460	
14	350	127	460	16-23	429	505	470	16-28	429	520	
16	400	140	515	16-28	480	565	525	16-31	480	580	
18	450	152	565	20-28	530	615	585	20-31	548	640	
20	500	152	620	20-28	582	670	650	20-34	609	715	
24	600	178	725	20-31	682	780	770	20-37	720	840	
28	700	229	840	24-31	794	895	840	24-37	794	910	
32	800	241	950	24-34	901	1015	950	24-41	901	1025	
36	900	241	1050	28-34	1001	1115	1050	28-41	1001	1125	
40	1000	300	1160	28-37	1112	1230	1170	28-44	1112	1255	



Silent Check Valve



- **Type:** Flange
- **Face to Face:** API609, BS5155, DIN3202, ISO5752
- **Flange:** DIN, BS, UNI, ISO, ANSI, AS, JIS
- **Mounting Flange:** ISO5211
- **Working Pressure:** PN16(200PSI)
- **Application:** HVAC, Water Supply&Sewage, Food&Beverage, Chemical/ petrochemical/processing, Power and Utilities, Paper and Pulp, Ship Building.

STANDARD MATERIALS OF MAIN PARTS

NO	PART NAME	MATERIAL
1	Body	Gg25
2	Guide pulley	Ggg40
3	Plug	Brass
4	O Ring	Rubber
5	Guide Sleeve	Brass
6	Spping	Stainless Steel
7	Gasket	Rubber
8	Disc	Ggg40

DIMENSIONS:(mm)

DN	50	65	80	100	125	150	200	250	300
L	100	120	140	170	200	230	288	354	410
D	165	185	200	220	250	285	340	405	460
D1	125	145	160	180	210	240	295	355	410
D2	102	122	138	158	188	212	268	320	378
b	20		22	24	26		30	32	
f	3					4			
Z-d	4-18		8-18		8-23	12-23	12-27		

Abidjan, Cocody 7eme Tranche non de l'Eglise Saint AMBROISE MAVIGNE

www.iveapc-limited.com



CONTACTEZ NOUS

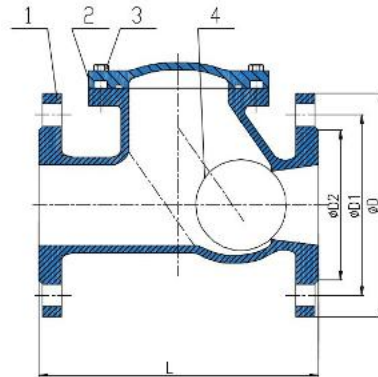
+225 27 22 34 45 36
+225 07 13 32 45 82

contact@iveapc-limited.com



- **Type:** Flange
- **Face to Face:** API609,BS5155,DIN3202,ISO5752
- **Flange:** DIN,BS,UNI,ISO,ANSI,AS,JIS
- **Mounting Flange:** ISO5211
- **Working Pressure:** PN16(200PSI)
- **Application:** HVAC,Water Supply&Sewage, Food&Beverage,Chemical/ petrochemical/processing, Power and Utilities,Paper and Pulp,Ship Building.

Ball Type Check Valve



STANDARD MATERIALS OF MAIN PARTS

ITEM	PART NAME	MATERIAL
1	Body	DI
2	Bonnet	DI
3	Bolt	CS
4	Bolt	EPDM

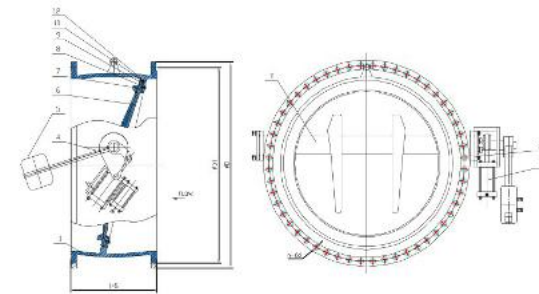
DIMENSIONS:(mm)

DN	F6 L	D	PN10			PN16			n-Ød
			D1	D2	n-Ød	D	D1	D2	
50	200	165	125	102	4-18	165	125	102	4-18
65	240	185	145	122	4-18	185	145	122	4-18
80	260	200	160	138	8-18	200	160	138	8-18
100	300	220	180	158	8-18	220	180	158	8-18
125	350	250	210	188	8-18	250	210	188	8-18
150	400	285	240	212	8-23	285	240	212	8-23
200	500	340	295	268	8-23	340	295	268	12-23
250	600	395	350	320	12-23	405	355	320	12-27
300	700	445	400	370	12-23	460	410	378	12-27
350	800	505	460	430	16-23	520	470	438	16-27
400	900	565	515	482	16-27	580	525	490	16-30
450	1000	615	565	530	20-27	640	585	550	20-30
500	1100	670	620	585	20-27	715	650	610	20-33
600	1300	780	725	685	20-30	840	770	725	20-36



- **Type:** Flange
- **Face to Face:** API609,BS5155,DIN3202,ISO5752
- **Flange:** DIN,BS,UNI,ISO,ANSI,AS,JIS
- **Mounting Flange:** ISO5211
- **Working Pressure:** PN16(200PSI)
- **Application:** HVAC,Water Supply&Sewage, Food&Beverage,Chemical/ petrochemical/processing, Power and Utilities,Paper and Pulp,Ship Building.

Tilting Check Valve



STANDARD MATERIALS OF MAIN PARTS

ITEM	PART NAME	MATERIAL	ITEM	PART NAME	MATERIAL
1	Body	DI	8	Retainer	CS
2	Gland	DI	9	Bolts	CS
3	Hydraulic cylinder		10	Stet	DI
4	Yoke	CS	11	Stem	SS416
5	Counter weight	CI	12	Body sealing	SS304
6	Disc	DI			
7	Sealing Ring	EPDM			

DIMENSIONS:(mm)

SIZE	DN	L	PN16			PN10		
			D	D1	n-Ød	D	D1	n-Ød
8	200	230	340	295	12-23	340	295	8-23
10	250	250	405	355	12-28	395	350	12-23
12	300	270	460	410	12-28	445	400	12-23
14	350	290	520	470	16-28	505	460	16-23
16	400	310	580	525	16-31	565	515	16-28
18	450	330	640	585	20-31	615	565	20-28
20	500	350	715	650	20-34	670	620	20-28
24	600	390	840	770	24-37	780	725	20-31
28	700	430	910	840	24-37	895	840	24-31
32	800	470	1025	950	24-41	1015	950	24-34
36	900	510	1125	1050	28-41	1115	1050	28-34
40	1000	550	1255	1170	28-44	1230	1160	28-37
48	1200	630	1485	1390	32-50	1455	1380	32-41
56	1400	710	1685	1590	36-50	1675	1590	36-44
64	1600	790	1930	1820	40-57	1915	1820	40-50

Abidjan, Cocody 7eme Tranche non de l'Eglise Saint AMBROISE MAVIGNE

www.iveapc-limited.com



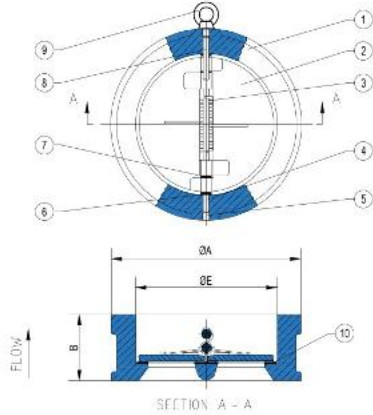
CONTACTEZ NOUS

+225 27 22 34 45 36
+225 07 13 32 45 82

contact@iveapc-limited.com



Dual Plate Wafer Check Valve



- **Type:** Wafer
- **Face to Face:** API609, BS5155, DIN3202, ISO5752
- **Flange:** DIN, BS, UNI, ISO, ANSI, AS, JIS
- **Mounting Flange:** ISO5211
- **Working Pressure:** PN16(200PSI)
- **Application:** HVAC, Water Supply & Sewage, Food & Beverage, Chemical, petrochemical, processing, Power and Utilities, Paper and Pulp, Ship Building.

STANDARD MATERIALS OF MAIN PARTS

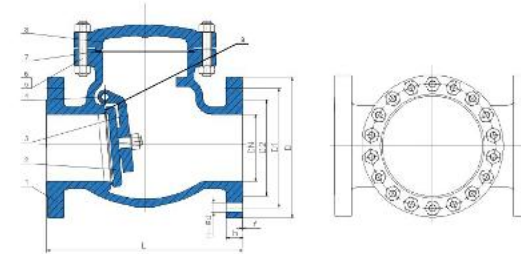
ITEM	PART NAME	MATERIAL
1	Body	DI, CI
2	Plate	CF8, CF8M, DI+Ni, Bronze
3	Spring	Stainless Steel 416
4	Hinge Pin	Stainless Steel 416
5	Plug	Carbon Steel
6	Body Bearing	PTFE
7	Spring Bearing	PTFE
8	Stop Pin	Stainless Steel 416
9	Eye Bolt	Carbon Steel
10	Body Seat	EPDM, NBR, Viton, Neoprene

DIMENSIONS:(mm)

SIZE	SIZE			A		
	in	DN	B	E	DIN PN10/16	ANSI 150
2	50	43	66	107	102	101
2-12	65	46	81	127	121	121
3	80	64	95	142	133	131
4	100	64	118	162	171	156
5	125	70	146	192	193	187
6	150	76	171	216	219	217
8	200	89	225	273	276	267
10	250	114	266	326	336	330
12	300	114	311	378/382	406	375
14	350	127	351	438/442	448	420
16	400	140	411	488/495	511	483
18	450	152	451	538/555	546	538
20	500	152	506	592/617	603	593
24	600	178	625	665/734	714	697
28	700	229	721	809	826	807
32	800	241	826	916	936	917



Swing Check Valve



- **Type:** Flange
- **Face to Face:** API609, BS5155, DIN3202, ISO5752
- **Flange:** DIN, BS, UNI, ISO, ANSI, AS, JIS
- **Mounting Flange:** ISO5211
- **Working Pressure:** PN16(200PSI)
- **Application:** HVAC, Water Supply & Sewage, Food & Beverage, Chemical, petrochemical, processing, Power and Utilities, Paper and Pulp, Ship Building.

STANDARD MATERIALS OF MAIN PARTS

ITEM	PART NAME	MATERIAL
1	Body	CI, DI
2	Disc	CI, DI
3	Rocking Arm	DI
4	Pin	CS
5	Nut	CS
6	Stud	CS
7	Gasket	Graphite
8	Bonnet	DI
9	Sealing Ring	Brass

DIMENSIONS:(mm)

SIZE	DN	L	PN16						PN10					
			DIN3202-F6	D	D1	n-Ød	D2	b	f	D	D1	n-Ød	D2	b
2	50	200	165	125	4-19	99	19	3	165	125	4-19	99	19	3
2.5	65	240	185	145	4-19	118	19	3	185	145	4-19	118	19	3
3	80	260	200	160	8-19	132	19	3	200	160	8-19	132	19	3
4	100	300	220	180	8-19	156	19	3	220	180	8-19	156	19	3
5	125	350	250	210	8-19	184	19	3	250	210	8-19	184	19	3
6	150	400	285	240	8-23	211	19	3	285	240	8-23	211	19	3
8	200	500	340	295	12-23	266	20	3	340	295	12-23	266	20	3
10	250	600	405	355	12-28	319	22	3	395	350	12-28	319	22	3
12	300	700	460	410	12-28	370	24.5	4	445	400	12-28	370	24.5	4
14	350	800	520	470	16-28	429	26.5	4	505	460	16-28	429	24.5	4
16	400	900	580	525	16-31	480	28	4	565	515	16-31	480	24.5	4
18	450	1000	640	585	20-31	548	30	4	615	565	20-31	530	25.5	4
20	500	1100	715	650	20-34	609	31.5	4	670	620	20-34	582	26.5	4
24	600	1300	840	770	20-37	720	36	5	780	725	20-37	682	30	5

Abidjan, Cocody 7eme Tranche non de l'Eglise Saint AMBROISE MAVIGNE

www.iveapc-limited.com



CONTACTEZ NOUS

+225 27 22 34 45 36
+225 07 13 32 45 82

contact@iveapc-limited.com

• CHECK VALVE



- 1. Small in size, light in weight, compact in structure, easy in maintenance.
- 2. Two torsion springs are used axcreting on each of the pair valve plates, which close the plates quickly and automatically.
- 3. The quick-close action prevents the medium from flowing back and eliminates water hammer effect.
- 4. Short body structure length and good rigidity.
- 5. This valve is tightly sealed, without leakage under the pressure water test.
- 6. Safe and reliable in operation, high interference-resistance.

Note: The stem of the valve should be perpendicular to the horizontal level when the valve is mounted on horizontal pipeline. For vertical installation the direction of flow should be downward.

Through precise manufacture, the main parts of check butterfly valve ensure valve's operation in a long stable and reliable and reliable condition.

Body

Short body structure length and good rigidity.

Disc

Adopting unitized design of dual discs and two torsion springs, it can make disc quickly closed itself and remove water-hammer

Rubber seat

It will be cured on body, tight fit and tight seal with no leakage.

Spring

It is possible to install valve on any positing of pipeline under the function of spring with low cost.

Gasket

It effectively prevents rotating shaft moving and avoid failure of valve function and leakage on shaft end.

Fasten screw

It is possible to regulate fitting clearance using washer and ensure the sealing of disc.

Abidjan, Cocody 7eme Tranche non de l'Eglise Saint AMBROISE MAVIGNE

 www.iveapc-limited.com



CONTACTEZ NOUS

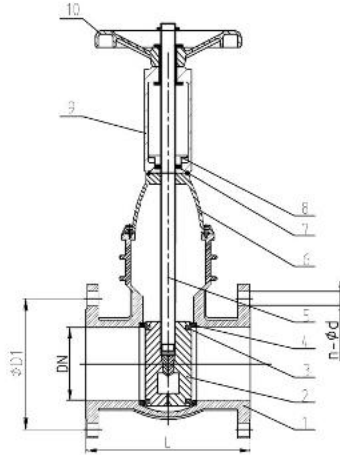
 +225 27 22 34 45 36
+225 07 13 32 45 82

 contact@iveapc-limited.com



Parallel Double Discs Gate Valve 30ch6br

- **Type:** Flange
- **Face to Face:** API609, BS6155, DIN3202, ISO5752
- **Flange:** DIN, BS, UNI, ISO, ANSI, AS, JIS
- **Mounting Flange:** ISO5211
- **Working Pressure:** PN16(200PSI)
- **Application:** HVAC, Water Supply & Sewage, Food & Beverage, Chemical, petrochemical processing, Power and Utilities, Paper and Pulp, Ship Building.



STANDARD MATERIALS OF MAIN PARTS

ITEM	PART NAME	MATERIAL
1	Body	CI
2	Disc	CI
3	Disc Seat	Brass
4	Body Seat	Brass
5	Stem	CS
6	Bonnet	CI
7	Packing	Graphite
8	Gland	CI
9	Yoke	CI
10	Hand Wheel	CI

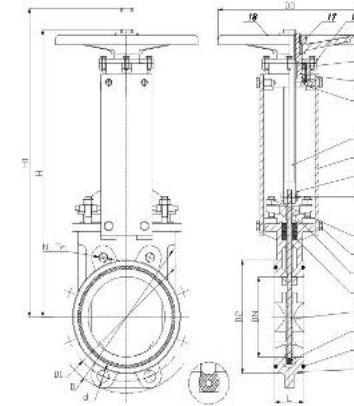
DIMENSIONS:(mm)

DN	L	Pn10	
		D1	n-Ød
50	180	125	4-19
80	210	160	8-19
100	230	180	8-19
150	280	240	8-23
200	330	295	8-23
250	450	350	12-23
300	500	400	12-23



Knife gate valve

- **Type:** Flange
- **Face to Face:** API609, BS6155, DIN3202, ISO5752
- **Flange:** DIN, BS, UNI, ISO, ANSI, AS, JIS
- **Mounting Flange:** ISO5211
- **Working Pressure:** PN16(200PSI)
- **Application:** HVAC, Water Supply & Sewage, Food & Beverage, Chemical, petrochemical processing, Power and Utilities, Paper and Pulp, Ship Building.



DIMENSIONS:(mm)

DN	SIZE								
	L	D	D1	D2	D0	N-Th	d	H	H1
65	48	185	145	118	180	4-M16	Ø18	335	415
80	51	200	160	132	220	8-M16	Ø18	360	455
100	51	220	180	156	240	8-M16	Ø18	400	515
125	57	250	210	184	240	8-M16	Ø18	455	595
150	57	285	240	212	280	8-M20	Ø23	510	675
200	60	340	295	266	300	12-M20	Ø23	585	805
250	70	405	355	319	320	12-M24	Ø27	695	965
300	76	460	410	370	320	12-M24	Ø27	765	1085

STANDARD MATERIALS OF MAIN PARTS

NO	PART NAME	MATERIAL
1	Body	Ductile Iron
2	O-ring	NBR
3	Sealing	NBR/EPDM
4	Disc	316
5	Packing	PTFE
6	Gland	WCB
7	Bolt	201
8	Nut/Bolt	201
9	Pin	201
10	Split pin	200
11	Yoke	A3
12	Stem	2cr13
13	Yoke Head	WCB
14	Stem Nut	Brass
15	Bearing	Zchsnsb10-6
16	Yoke head cap	WCB
17	Nut	201
18	Handwheel	Ductile Iron

Abidjan, Cocody 7eme Tranche non de l'Eglise Saint AMBROISE MAVIGNE

www.iveapc-limited.com



CONTACTEZ NOUS

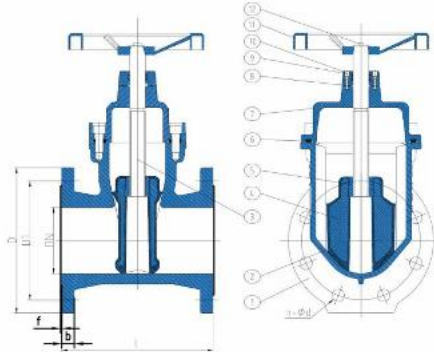
+225 27 22 34 45 36

+225 07 13 32 45 82

contact@iveapc-limited.com



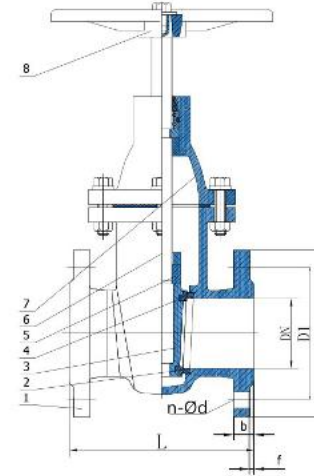
Non-Rising Stem Resilient Seated Gate Valve



- **Type:** Flange
- **Face to Face:** API609, BS5155, DIN3202, ISO5752
- **Flange:** DIN, BS, UNI, ISO, ANSI, AS, JIS
- **Mounting Flange:** ISO5211
- **Working Pressure:** PN16(200PSI)
- **Application:** HVAC, Water Supply & Sewage, Food & Beverage, Chemical, petrochemical, processing, Power and Utilities, Paper and Pulp, Ship Building.



Non-Rising Stem Solid Wedge Gate Valve



- **Type:** Flange
- **Face to Face:** API609, BS5155, DIN3202, ISO5752
- **Flange:** DIN, BS, UNI, ISO, ANSI, AS, JIS
- **Mounting Flange:** ISO5211
- **Working Pressure:** PN16(200PSI)
- **Application:** HVAC, Water Supply & Sewage, Food & Beverage, Chemical, petrochemical, processing, Power and Utilities, Paper and Pulp, Ship Building.

STANDARD MATERIALS OF MAIN PARTS

ITEM	PART NAME	MATERIAL
1	Body	Ductile Iron
2	Seat	EPDM
3	Shaft	SS416
4	Disc	Ductile Iron
5	Wedge Nut	Brass
6	Bonnet Gasket	EPDM
7	Bonnet	Ductile Iron
8	Sealing ring	EPDM
9	Socket head screw	A2-70
10	O-ring	EPDM
11	Hand Wheel	
12	Stem Nut	A2-70

DIMENSIONS:(mm)

DN	FL	FR	FR1	FR2	FR3	FR4	FR5	FR6	FR7	FR8	FR9	FR10	FR11	FR12	FR13	FR14	FR15	FR16	FR17	FR18	FR19	FR20	FR21	FR22	FR23	FR24	FR25	FR26	FR27	FR28	FR29	FR30	FR31	FR32	FR33	FR34	FR35	FR36	FR37	FR38	FR39	FR40	FR41	FR42	FR43	FR44	FR45	FR46	FR47	FR48	FR49	FR50	FR51	FR52	FR53	FR54	FR55	FR56	FR57	FR58	FR59	FR60	FR61	FR62	FR63	FR64	FR65	FR66	FR67	FR68	FR69	FR70	FR71	FR72	FR73	FR74	FR75	FR76	FR77	FR78	FR79	FR80	FR81	FR82	FR83	FR84	FR85	FR86	FR87	FR88	FR89	FR90	FR91	FR92	FR93	FR94	FR95	FR96	FR97	FR98	FR99	FR100																																																																																																																																																																																																																																																																																																																																																																																																																																																																																																																																																																																																																																																																																																																																																																																																																																																																																				
25	65	102	127	152	178	203	228	254	279	305	330	355	381	406	432	457	483	508	533	559	584	609	635	660	685	711	736	762	787	812	838	863	888	914	939	964	990	1015	1040	1066	1091	1116	1142	1167	1192	1218	1243	1268	1294	1319	1344	1370	1395	1420	1446	1471	1496	1522	1547	1572	1598	1623	1648	1674	1699	1724	1750	1775	1800	1826	1851	1876	1902	1927	1952	1978	2003	2028	2054	2079	2104	2130	2155	2180	2206	2231	2256	2282	2307	2332	2358	2383	2408	2434	2459	2484	2510	2535	2560	2586	2611	2636	2662	2687	2712	2738	2763	2788	2814	2839	2864	2890	2915	2940	2966	2991	3016	3042	3067	3092	3118	3143	3168	3194	3219	3244	3270	3295	3320	3346	3371	3396	3422	3447	3472	3498	3523	3548	3574	3599	3624	3650	3675	3700	3726	3751	3776	3802	3827	3852	3878	3903	3928	3954	3979	4004	4030	4055	4080	4106	4131	4156	4182	4207	4232	4258	4283	4308	4334	4359	4384	4410	4435	4460	4486	4511	4536	4562	4587	4612	4638	4663	4688	4714	4739	4764	4790	4815	4840	4866	4891	4916	4942	4967	4992	5018	5043	5068	5094	5119	5144	5170	5195	5220	5246	5271	5296	5322	5347	5372	5398	5423	5448	5474	5499	5524	5550	5575	5600	5626	5651	5676	5702	5727	5752	5778	5803	5828	5854	5879	5904	5930	5955	5980	6006	6031	6056	6082	6107	6132	6158	6183	6208	6234	6259	6284	6310	6335	6360	6386	6411	6436	6462	6487	6512	6538	6563	6588	6614	6639	6664	6690	6715	6740	6766	6791	6816	6842	6867	6892	6918	6943	6968	6994	7019	7044	7070	7095	7120	7146	7171	7196	7222	7247	7272	7298	7323	7348	7374	7399	7424	7450	7475	7500	7526	7551	7576	7602	7627	7652	7678	7703	7728	7754	7779	7804	7830	7855	7880	7906	7931	7956	7982	8007	8032	8058	8083	8108	8134	8159	8184	8210	8235	8260	8286	8311	8336	8362	8387	8412	8438	8463	8488	8514	8539	8564	8590	8615	8640	8666	8691	8716	8742	8767	8792	8818	8843	8868	8894	8919	8944	8970	8995	9020	9046	9071	9096	9122	9147	9172	9200	9225	9250	9276	9301	9326	9352	9377	9402	9428	9453	9478	9504	9529	9554	9580	9605	9630	9656	9681	9706	9732	9757	9782	9808	9833	9858	9884	9909	9934	9960	9985	10010	10036	10061	10086	10112	10137	10162	10188	10213	10238	10264	10289	10314	10340	10365	10390	10416	10441	10466	10492	10517	10542	10568	10593	10618	10644	10669	10694	10720	10745	10770	10796	10821	10846	10872	10897	10922	10948	10973	11000	11025	11050	11075	11101	11126	11152	11177	11202	11228	11253	11278	11304	11329	11354	11380	11405	11430	11456	11481	11506	11532	11557	11582	11608	11633	11658	11684	11709	11734	11760	11785	11810	11836	11861	11886	11912	11937	11962	11988	12013	12038	12064	12089	12114	12140	12165	12190	12216	12241	12266	12292	12317	12342	12368	12393	12418	12444	12469	12494	12520	12545	12570	12596	12621	12646	12672	12697	12722	12748	12773	12798	12824	12849	12874	12900	12925	12950	12976	13001	13026	13052	13077	13102	13128	13153	13178	13204	13229	13254	13280	13305	13330	13356	13381	13406	13432	13457	13482	13508	13533	13558	13584	13609	13634	13660	13685	13710	13736	13761	13786	13812	13837	13862	13888	13913	13938	13964	13989	14014	14040	14065	14090	14116	14141	14166	14192	14217	14242	14268	14293	14318	14343	14369	14394	14419	14444	14470	14495	14520	14546	14571	14596	14622	14647	14672	14698	14723	14748	14774	14799	14824	14850	14875	14900	14926	14951	14976	15002	15027	15052	15078	15103	15128	15154	15179	15204	15230	15255	15280	15306	15331	15356	15382	15407	15432	15458	15483	15508	15534	15559	15584	15610	15635	15660	15686	15711	15736	15762	15787	15812	15838	15863	15888	15914	15939	15964	15990	16015	16040	16066	16091	16116	16142	16167	16192	16218	16243	16268	16294	16319	16344	16370	16395	16420	16446	16471	16496	16522	16547	16572	16598	16623	16648	16674	16699	16724	16750	16775	16800	16826	16851	16876	16902	16927	16952	16978	17003	17028	17054	17079	17104	17130	17155	17180	17206	17231	17256	17282	17307	17332	17358	17383	17408	17434	17459	17484	17510	17535	17560	17586	17611	17636	17662	17687	17712	17738	17763	17788	17814	17839	17864	17890	17915	17940	17966	17991	18016	18042	18067	18092	18118	18143	18168	18194	18219	18244	18270	18295	18320	18346	18371	18396	18422	18447	18472	18498	18523	18548	18574	18599	18624	18650	18675	18700	18726	18751	18776	18802	18827	18852	18878	18903	18928	18954	18979	19004	19030	19055	19080	19106	19131	19156	19182	19207	19232	19258	19283	19308	19334	19359	19384	19410	19435	19460	19486	19511	19536	19562	19587	19612	19638	19663	19688	19714	19739	19764	19790	19815	19840	19866	19891	19916	19942	19967	19992	20018	20043	20068	20094	20119	20144	20170	20195	20220	20246	20271	20296	20322	20347	20372	20398	20423	20448	20474	20499	20524	20550	20575	20600	20626	20651	20676	20702	20727	20752	20778	20803	20828	20854	20879	20904	20930	20955	20980	21006	21031	21056	21082	21107	21132	21158	21183	21208	21234	21259	21284	21310	21335	21360	21386	21411	21436	21462	21487	21512	21538	21563	21588	21614	21639	21664	21690	21715	21740	21766	21791	21816	21842	21867	21892	21918	21943	21968	21994	22019	22044	22070	22095	22120	22146	22171	22196	22222	22247	22272	22298	22323	22348	22374	22399	22424	22450	22475	22500	22526	22551	22576	22602	22627	22652	22678	22703	22728	22754	22779	22804	22830	22855	22880	22906	22931	22956	22982	23007	23032	23058	23083	23108	23134	23159	23184	23210	23235	23260	23286	23311	23336	23362	23387	23412	23438	23463	23488	23514	23539	23564	23590	23615	23640	23666	23691	23716	23742	23767	23792	23818	23843	23868	23894	23919	23944	23970	23995	24020	24046	24071	24096	24122	24147	24172	24198	2422

CONCENTRIC GATE VALVE

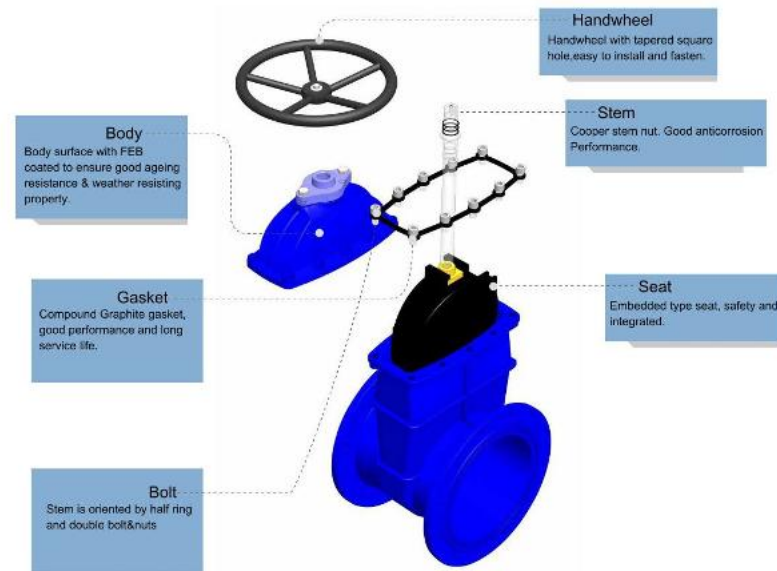


Water works and water resource project
 Environment protection
 Public facilities
 Power and public utilities
 Building industry
 Petroleum, chemical
 Steel, metallurgy
 Paper making industry
 Foods, Beverage

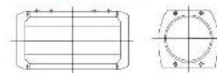


Gate valve as used as shutting off or throttling unit for petroleum processing, chemicals, food, medicine, textile, paper making, hydroelectricity engineering as well as light industry, etc. it can be installed in any selected position.

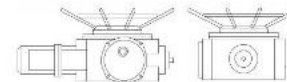
Through precise manufacturing, the main parts of this butterfly valve ensure valve's operation in long stable and reliable condition.



Configurable drives



Pneumatic actuators



Electric Actuator

Abidjan, Cocody 7eme Tranche non de l'Eglise Saint AMBROISE MAVIGNE

 www.iveapc-limited.com



CONTACTEZ NOUS

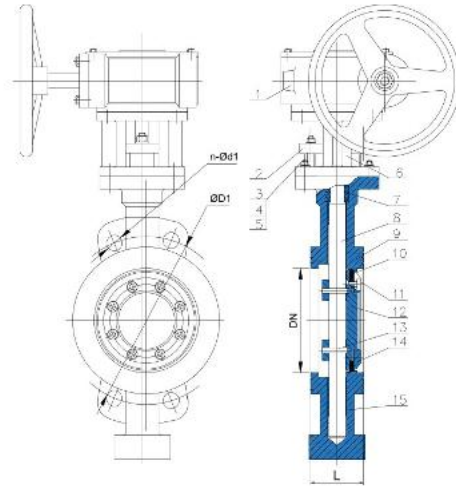
 +225 27 22 34 45 36

+225 07 13 32 45 82

 contact@iveapc-limited.com



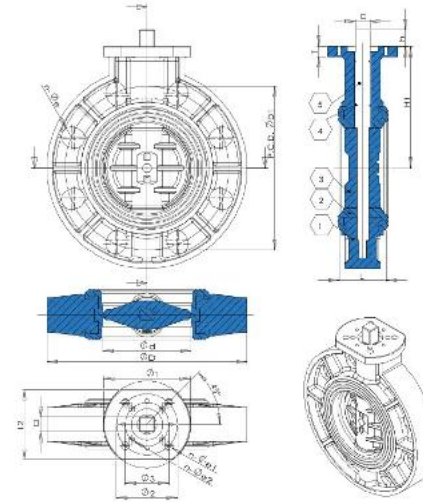
Metal Seated Eccentric Butterfly Valve (Wafer Type)



- **Type:** Wafer
- **Face to Face:** API609, BS5155, DIN3202, ISO5752
- **Flange:** DIN, BS, UNI, ISO, ANSI, AS, JIS
- **Mounting Flange:** ISO5211
- **Working Pressure:** PN16(200PSI)
- **Application:** HVAC, Water Supply & Sewage, Food & Beverage, Chemical/ petrochemical/processing, Power and Utilities, Paper and Pulp, Ship Building.



PVC Butterfly valve



- **Type:** Wafer
- **Face to Face:** API609, BS5155, DIN3202, ISO5752
- **Flange:** DIN, BS, UNI, ISO, ANSI, AS, JIS
- **Mounting Flange:** ISO5211
- **Working Pressure:** PN16(200PSI)
- **Application:** HVAC, Water Supply & Sewage, Food & Beverage, Chemical/ petrochemical/processing, Power and Utilities, Paper and Pulp, Ship Building.

STANDARD MATERIALS OF MAIN PARTS

ITEM	PART NAME	MATERIAL
1	Gear Operator	
2	Packing Flange	CF8
3	Stud	CS
4	Washers	Spring Steel
5	Bolt	CS
6	Connecting Support	CF8
7	Packing	Flexible Graphite
8	Stem	SS410
9	Body	CF8M
10	Sealing Ring	SS304+Graphite
11	Bolt	CS
12	Disc	CF8
13	Pin	SS304
14	Disc Flange	CF8
15	Bushing	Nitriding

DIMENSIONS:(mm)

SIZE	n	DN	PN16		PN10		ANSI 150	
			D1	n-d1	D1	n-d1	D1	n-d1
2	50	43	125	4-18	125	4-18	120.5	4-19
2.5	65	46	145	4-18	145	4-18	139.5	4-19
3	80	49	160	4(8)-18	160	8-18	152.5	4-19
4	100	56	180	4(8)-18	180	4(8)-18	190.5	4(8)-19
5	125	64	210	4(8)-18	210	4(8)-18	218	4(8)-22
6	150	70	240	4(8)-23	240	4(8)-23	241.5	4(8)-22
8	200	71	295	4(12)-23	295	4(8)-23	298.5	4(8)-22
10	250	76	355	4(12)-27	350	4(12)-23	362	4(12)-25
12	300	83	410	4(12)-27	400	4(12)-23	432	4(12)-25
14	350	92	470	4(16)-27	460	4(16)-23	476	4(12)-29
16	400	102	525	4(16)-30	515	4(16)-27	539.5	4(16)-29
18	450	114	585	4(20)-30	565	4(20)-27	578	4(16)-32
20	500	127	650	4(20)-33	620	4(20)-27	635	4(20)-32
24	600	154	770	4(20)-36	725	4(20)-30	749.5	4(20)-35
28	700	165	840	4(24)-36	840	4(24)-30	863.6	4(28)-35
32	800	190	950	4(24)-39	950	4(24)-33	977.9	4(28)-41
36	900	203	1050	4(28)-39	1050	4(28)-33	1085.8	4(32)-41
40	1000	216	1170	4(28)-42	1160	4(28)-36	1200.2	4(36)-41

STANDARD MATERIALS OF MAIN PARTS

ITEM	PART NAME	MATERIAL
1	Gear Operator	
2	Body	U-PVC
3	Seat seal	EPDM
4	Disc	U-PVC
5	O-Ring O	EDPM
6	Stem	CS

DIMENSIONS:(mm)

SIZE	DN	2"	2 1/2"	3"	4"	5"	6"	8"
		50	65	80	100	125	150	200
		160	190	196	228	258	287	344
	DIN	125	145	160	180	210	240	285
	ANSI	121	140	152	191	216	241	298
	JIS	120	140	150	175	210	240	290
		48	63	78	98	122	146	199
		43	42	49	54	64	70	88
		80	90	80	80	100	100	100
		100	100	100	100	140	140	140
		12	12	12	12	15	15	15
		70	70	70	70	102	102	102
ISO5211		F07	FC7	F07	F07	F10	F10	F10
		50	50	50	50	70	70	70
ISO5211		F05	F05	F05	F05	F07	F07	
	DIN	4-2019	4-2019	8-2019	8-2019	8-2019	8-223	8-223
	ANSI	4-2019	4-2019	8-2019	8-2019	8-2019	8-223	8-223
	JIS	4-2019	4-2019	8-2019	8-2019	8-2019	8-223	12-223
		4-29	4-29	4-29	4-29	4-29	4-29	4-29
		4-27	4-27	4-27	4-27	4-29	4-29	
PN	MPa	1	1	1	1	1	1	0.6
PN		150	150	150	150	150	150	90
h		11	11/14	14/17	14/17	17/22	17/22	22
h		12	12/15	15/18	15/18	18/23	18/23	23
TORQUE	N.M	10	0	15	25	40	55	70



Abidjan, Cocody 7eme Tranche non de l'Eglise Saint AMBROISE MAVIGNE

www.iveapc-limited.com



CONTACTEZ NOUS

+225 27 22 34 45 36
+225 07 13 32 45 82

contact@iveapc-limited.com



 Abidjan, Cocody 7eme Tranche non
de l'Eglise Saint AMBROISE MAVIGNE

 www.iveapc-limited.com



CONTACTEZ NOUS

 +225 27 22 34 45 36
+225 07 13 32 45 82
 contact@iveapc-limited.com